

THESE DOORS ARE RATED FOR LARGE & SMALL MISSILE IMPACT. SHUTTERS ARE NOT REQUIRED.

**SERIES EC450 (L.M.I.)  
ALUMINUM SLIDING GLASS DOOR**

DESIGN LOAD RATING FOR DOORS TO BE AS PER CHARTS SHOWN ON SHEET 2, AND APPROVED CONFIGURATIONS ON SHEETS 6 THRU 8.

THIS PRODUCT HAS BEEN DESIGNED AND TESTED TO COMPLY WITH THE REQUIREMENTS OF THE 2023 (8TH EDITION) FLORIDA BUILDING CODE INCLUDING HIGH VELOCITY HURRICANE ZONE (HVHZ).

1BY OR 2BY WOOD BUCKS & BUCK FASTENERS BY OTHERS, MUST BE DESIGNED AND INSTALLED ADEQUATELY TO TRANSFER APPLIED PRODUCT LOADS TO THE BUILDING STRUCTURE.

ANCHORS SHALL BE CORROSION RESISTANT, SPACED AS SHOWN ON DETAILS AND INSTALLED PER MANUF'S INSTRUCTIONS. SPECIFIED EMBEDMENT TO BASE MATERIAL SHALL BE BEYOND WALL DRESSING OR STUCCO.

A LOAD DURATION INCREASE IS USED IN DESIGN OF ANCHORS INTO WOOD ONLY.

ALL SHIMS TO BE HIGH IMPACT, NON-METALLIC AND NON-COMPRESSIBLE.

MATERIALS INCLUDING BUT NOT LIMITED TO STEEL/METAL SCREWS, THAT COME INTO CONTACT WITH OTHER DISSIMILAR MATERIALS SHALL MEET THE REQUIREMENTS OF THE 2023 FLORIDA BLDG. CODE & ADOPTED STANDARDS.

THIS PRODUCT APPROVAL IS GENERIC AND DOES NOT PROVIDE INFORMATION FOR A SITE SPECIFIC PROJECT, i.e. LIFE SAFETY OF THIS PRODUCT, ADEQUACY OF STRUCTURE RECEIVING THIS PRODUCT AND SEALING AROUND OPENING FOR WATER INFILTRATION RESISTANCE ETC.

CONDITIONS NOT SHOWN IN THIS DRAWING ARE TO BE ANALYZED SEPARATELY, AND TO BE REVIEWED BY BUILDING OFFICIAL.

DESIGN LOADS SHOWN ARE BASED ON 'ALLOWABLE STRESS DESIGN (ASD)'.  
MANUFACTURER'S LABEL SHALL BE LOCATED ON A READILY VISIBLE LOCATION IN ACCORDANCE WITH SECTION 1709.9.3 OF FLORIDA BUILDING CODE. LABELING TO COMPLY WITH SECTION 1709.9.2.

A- CONTRACTOR TO BE RESPONSIBLE FOR THE SELECTION, PURCHASE AND INSTALLATION OF THIS PRODUCT BASED ON THIS PRODUCT EVALUATION PROVIDED HE/SHE DOES NOT DEVIATE FROM THE CONDITIONS DETAILED ON THIS DOCUMENT.  
B- THIS PRODUCT EVALUATION DOCUMENT WILL BE CONSIDERED INVALID IF ALTERED BY ANY MEANS.  
C- SITE SPECIFIC PROJECTS SHALL BE PREPARED BY A FLORIDA REGISTERED ENGINEER OR ARCHITECT WHICH WILL BECOME THE ENGINEER OF RECORD (E.O.R.) FOR THE PROJECT AND WHO WILL BE RESPONSIBLE FOR THE PROPER USE OF THE P.E.D. ENGINEER OF RECORD, ACTING AS A DELEGATED ENGINEER TO THE P.E.D. ENGINEER SHALL SUBMIT TO THIS LATTER THE SITE SPECIFIC DRAWINGS FOR REVIEW.  
D- THIS P.E.D. SHALL BEAR THE DATE AND ORIGINAL SEAL AND SIGNATURE OF THE PROFESSIONAL ENGINEER OF RECORD THAT PREPARED IT.

Sealed: 9/30/2025



revisions:	no	date	by	description
date:	09-10-25	scale:	-	dr. by: TARIQ
				chk. by:
drawing no.				
25-80F				
sheet 1 of 18				

SERIES EC450 ALUM SLIDING GLASS DOOR (L.M.I.)  
**Eurocraft Industries Inc.**  
7905 N.W. 77th Ave.  
Medley, FL. 33166  
Phone: (305) 713-1871 Fax: (305) 713-1872

**AL-FAROOQ CORPORATION**  
ENGINEERS & PRODUCT DEVELOPMENT  
9360 SUNSET DRIVE, SUITE 220  
MIAMI, FLORIDA 33173 (C.A.N. 3538)  
TEL. (305) 264-8100 FAX. (305) 262-6978  
COMP-ANL 25-80F-EII



**DOOR DESIGN LOAD CAPACITY - PSF**

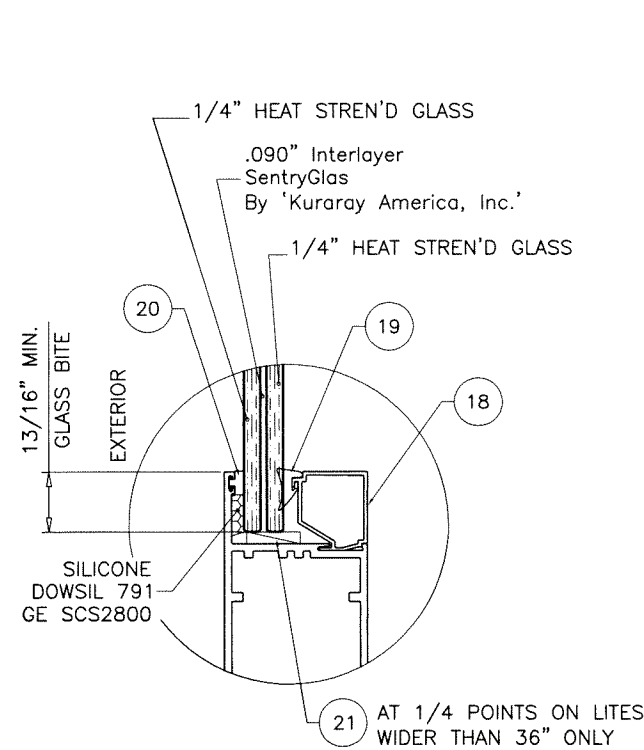
AVERAGE PANEL WIDTH INCHES	DOOR FRAME HEIGHT INCHES	GLASS TYPES 'A' & 'Ai'	
		EXT.(+)	INT.(-)
36	84	140.0	140.0
42		140.0	140.0
48		140.0	140.0
54		140.0	140.0
60		140.0	140.0
66		140.0	140.0
68		140.0	140.0
72		100.0	100.0
36	96	140.0	140.0
42		140.0	140.0
48		140.0	140.0
54		140.0	140.0
60		140.0	140.0
66		100.0	100.0
68		100.0	100.0
72		100.0	100.0
36	102	140.0	140.0
42		140.0	140.0
48		140.0	140.0
54		140.0	140.0
60		100.0	100.0
66		100.0	100.0
72			100.0
36	114	140.0	140.0
42		140.0	140.0
48		140.0	140.0
54		100.0	100.0
60		100.0	100.0
36	120	140.0	140.0
42		140.0	140.0
48		140.0	140.0
54		100.0	100.0
60		100.0	100.0
36	126	100.0	100.0
42		100.0	100.0
48		100.0	100.0
54		100.0	100.0
36	144	100.0	100.0
42		100.0	100.0
48		100.0	100.0

AVERAGE PANEL WIDTH =  $\frac{\text{DOOR FRAME WIDTH}}{\text{NUMBER OF PANELS}}$

ALL EXTERIOR(+) LOADS SHOWN IN CHARTS ABOVE ARE FOR INSTALLATIONS WHERE WATER INFILTRATION RESISTANCE IS NOT REQUIRED.

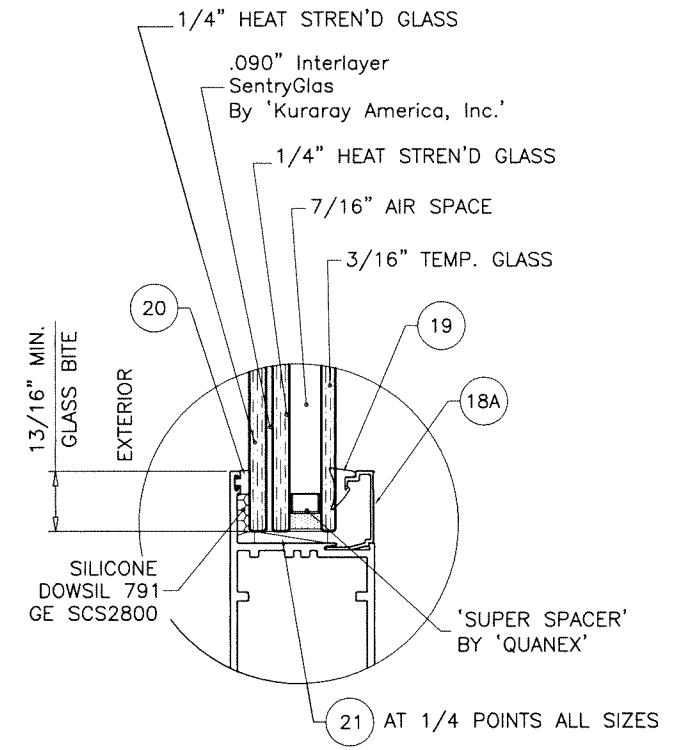
FOR INSTALLATIONS WHERE WATER INFILTRATION RESISTANCE IS REQUIRED  
 LIMIT MAX. EXT.(+) LOADS TO 33.3 PSF FOR 1-11/16" SILL HEIGHTS  
 LIMIT MAX. EXT.(+) LOADS TO 60.0 PSF FOR 2-3/4" SILL HEIGHTS  
 LIMIT MAX. EXT.(+) LOADS TO 95.0 PSF FOR 3-3/4" SILL HEIGHTS  
 NO EXT.(+) LOADS LIMIT FOR 5" SILL HEIGHTS  
 SEE SHEETS 9, 11 & 13 FOR DETAILS

NOTE:  
 GLASS CAPACITIES ARE BASED ON  
 ASTM E1300-09 (3 SEC. GUSTS)  
 AND FLORIDA BUILDING COMMISSION  
 DECLARATORY STATEMENT DCA05-DEC-219



**GLASS TYPE 'A'**

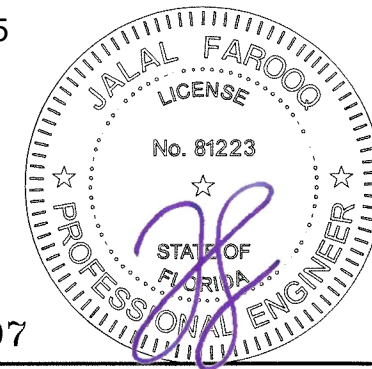
9/16" OVERALL LAMINATED GLASS



**GLASS TYPE 'Ai'**

1-3/16" OVERALL INSUL. LAM. GLASS

Sealed: 9/30/2025

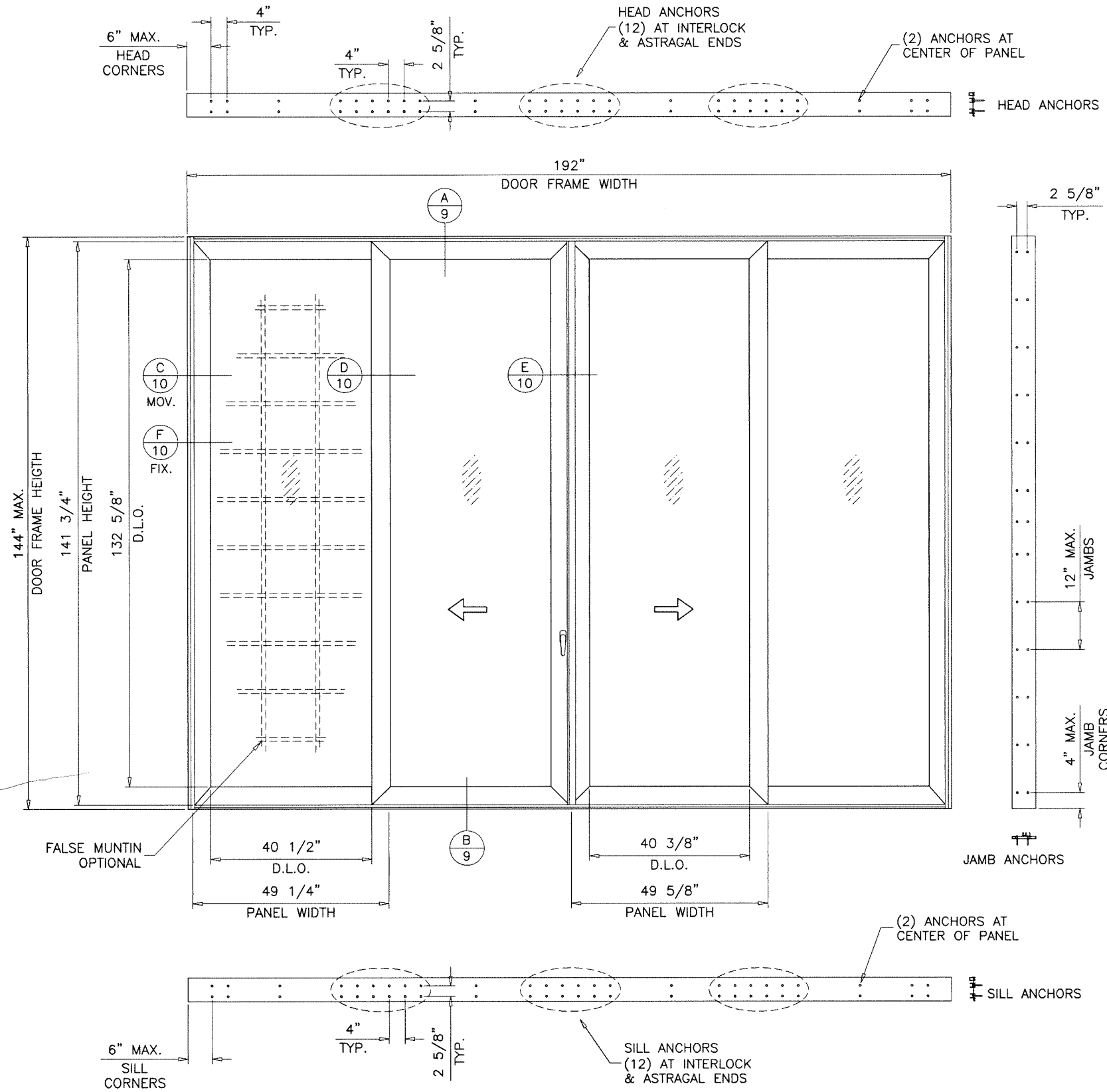


FL #47807

**af c**  
**AL-FAROOQ CORPORATION**  
 ENGINEERS & PRODUCT DEVELOPMENT  
 9360 SUNSET DRIVE, SUITE 220  
 MIAMI, FLORIDA 33173 (C.A.N. 3538)  
 TEL. (305) 264-8100 FAX. (305) 262-6978  
 COMP-ANL 25-80F-EII

SERIES EC450 ALUM SLIDING GLASS DOOR (L.M.I.)  
**Eurocraft Industries Inc.**  
 7905 N.W. 77th Ave.  
 Medley, FL. 33166  
 Phone: (305) 713-1871 Fax: (305) 713-1872

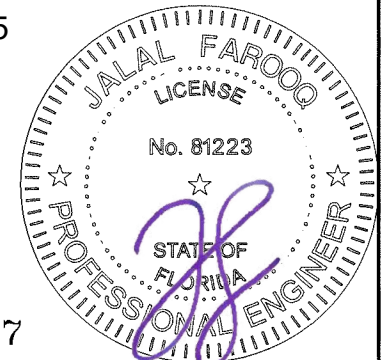
revisions:	no.	date	by	description
date:	09-10-25	scale:	-	dr. by: TARIQ
chk. by:				
drawing no.	25-80F			
sheet	2 of 18			



**TYPICAL ELEVATION**  
(2 TRACK)

DAYLITE OPENINGS WIDTHS:  
 PANEL WIDTH - 8.75"  
 DAYLITE OPENING HEIGHT:  
 PANEL HEIGHT - 9.125"  
 PANEL HEIGHT = DOOR FRAME HEIGHT - 2.250"

Sealed: 9/30/2025



FL #47807

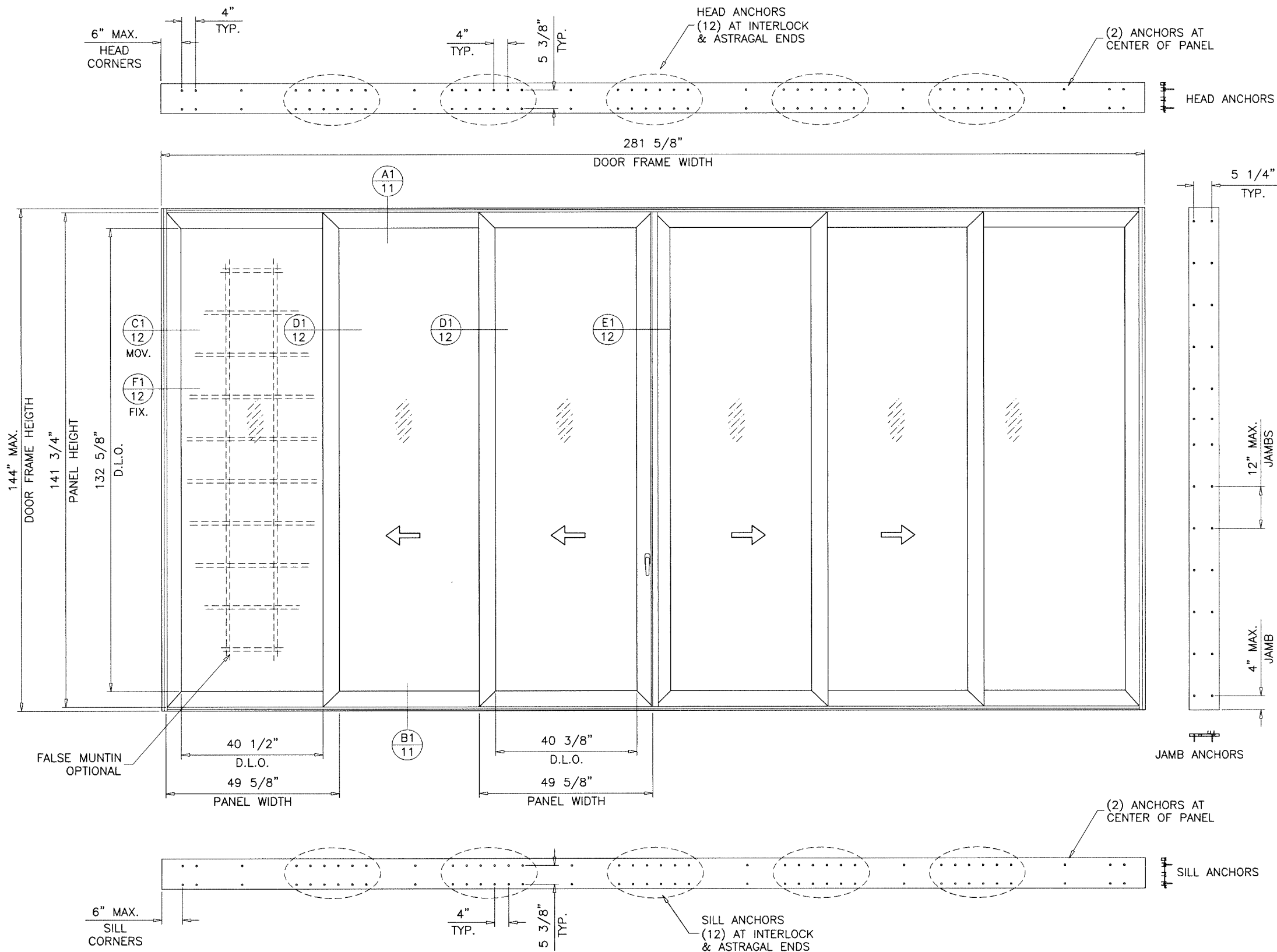
**af c**  
**AL-FAROOQ CORPORATION**  
 ENGINEERS & PRODUCT DEVELOPMENT  
 9360 SUNSET DRIVE, SUITE 220  
 MIAMI, FLORIDA 33173 (C.A.N. 3538)  
 TEL. (305) 264-8100 FAX. (305) 262-6978  
 COMP-ANL\25-80F-EII

SERIES EC450 ALUM SLIDING GLASS DOOR (L.M.I.)  
**Eurocraft Industries Inc.**  
 7905 N.W. 77th Ave.  
 Medley, FL. 33166  
 Phone: (305) 713-1871 Fax: (305) 713-1872

revisions:	no	date	by	description

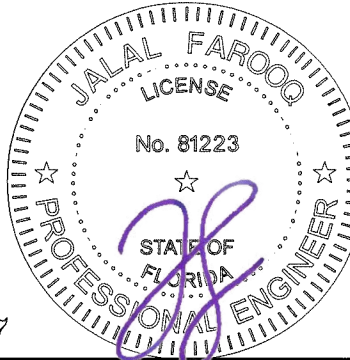
date: 09-10-25  
 scale: 3/8"=1'-0"  
 dr. by: TARIQ  
 chk. by:

drawing no.  
**25-80F**  
 sheet 3 of 18



TYPICAL ELEVATION  
(3 TRACK)

Sealed: 9/30/2025



FL #47807

**af c**  
**AL-FAROOQ CORPORATION**  
 ENGINEERS & PRODUCT DEVELOPMENT  
 9360 SUNSET DRIVE, SUITE 220 (C.A.N. 3538)  
 MIAMI, FLORIDA 33173  
 TEL. (305) 264-8100 FAX. (305) 262-6978  
 COMP-ANL\25-80F-EI

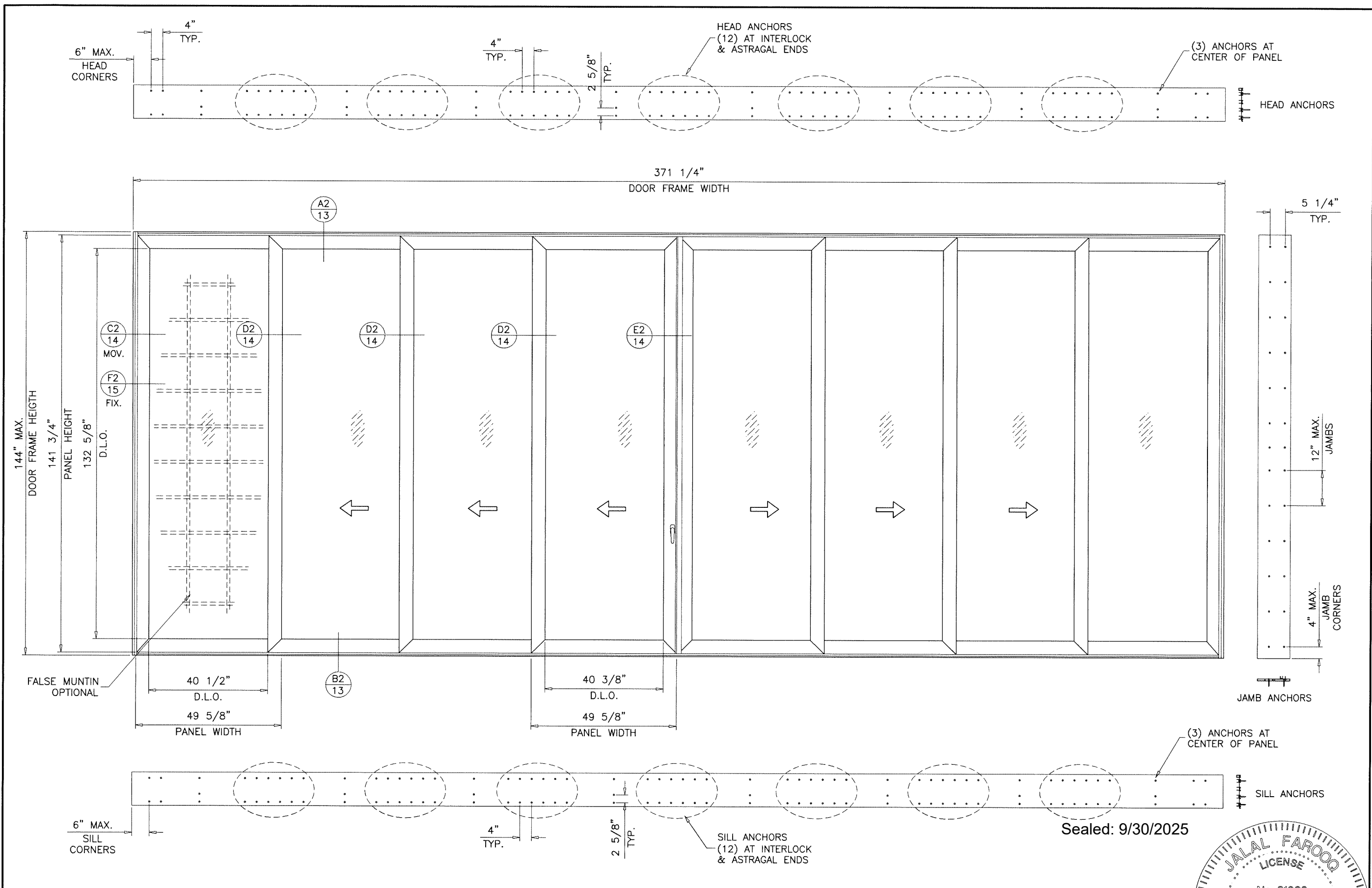
SERIES EC450 ALUM SLIDING GLASS DOOR (L.M.I.)  
**Eurocraft Industries Inc.**  
 7905 N.W. 77th Ave.  
 Medley, FL. 33166  
 Phone: (305) 713-1871 Fax: (305) 713-1872

revisions:	no	date	description

date: 09-10-25  
 scale: 3/8" = 1'-0"  
 dr. by: TARIQ  
 chk. by:

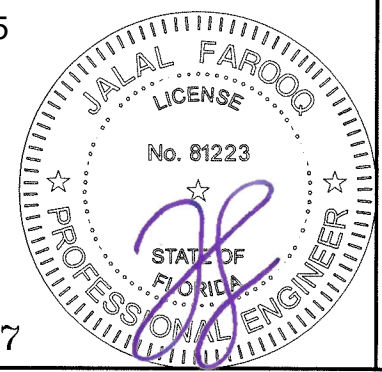
drawing no.  
**25-80F**

sheet 4 of 18



**TYPICAL ELEVATION**  
(4 TRACK)

Sealed: 9/30/2025



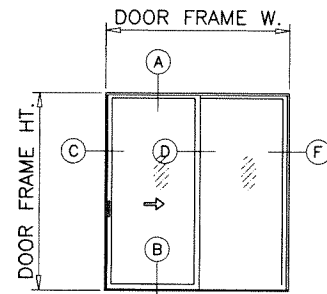
FL #47807

**af c**  
**AL-FAROOQ CORPORATION**  
 ENGINEERS & PRODUCT DEVELOPMENT  
 9360 SUNSET DRIVE, SUITE 220 (C.A.N. 3538)  
 MIAMI, FLORIDA 33173  
 TEL. (305) 262-6978 FAX. (305) 264-8100  
 COMP-ANL\25-80F-EII

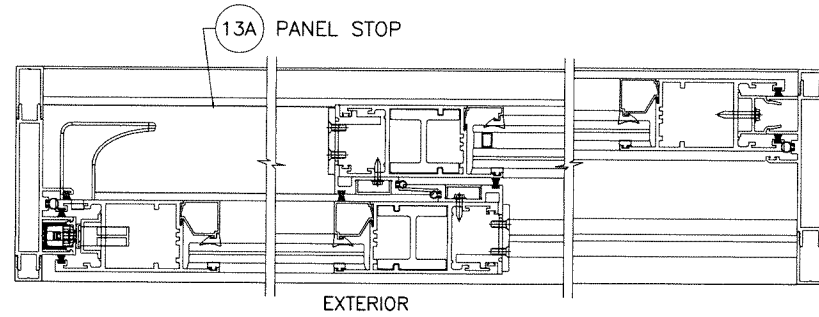
SERIES EC450 ALUM SLIDING GLASS DOOR (L.M.I.)  
**Eurocraft Industries Inc.**  
 7905 N.W. 77th Ave.  
 Medley, FL. 33166  
 Phone: (305) 713-1871 Fax: (305) 713-1872

revisions:	
no	date by description

date: 09-10-25	scale: 3/8"=1'-0"	dr. by: TARIQ	chk. by:
drawing no. 25-80F		sheet 5 of 18	

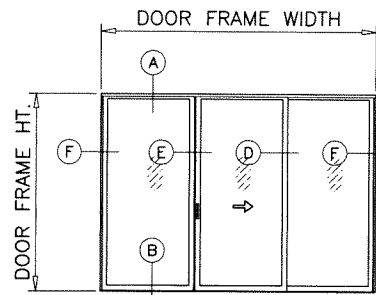


XO (SHOWN)  
OX  
XX

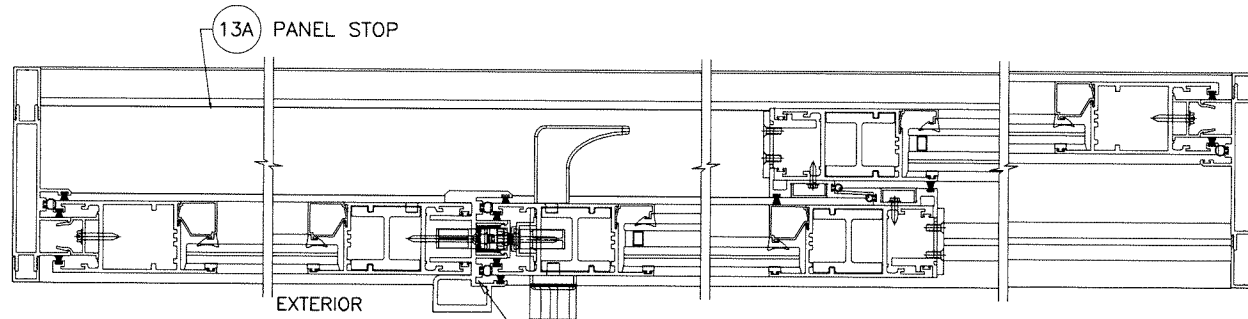


NOTE:  
CONFIGURATIONS SHOWN FOR ILLUSTRATION PURPOSE  
SEE APPLICABLE DESIGN PRESSURES & SIZES IN SHEET 2  
AND ANCHOR INSTALLATION IN SHEETS 9 & 10.

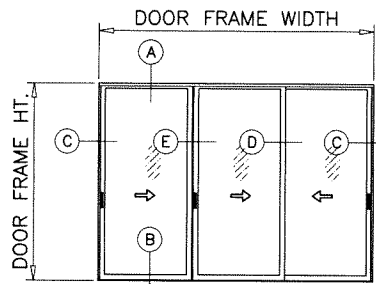
MAX. FRAME AREA OF TWO (2) TRACK S.G.D. SHALL NOT  
EXCEED 352 SQ. FT.  
DOOR PANEL AREA SHALL NOT EXCEED 40.0 SQ. FT.  
PER FBC REQUIREMENTS.



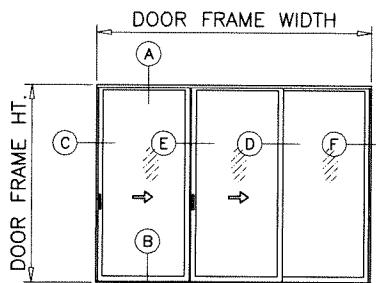
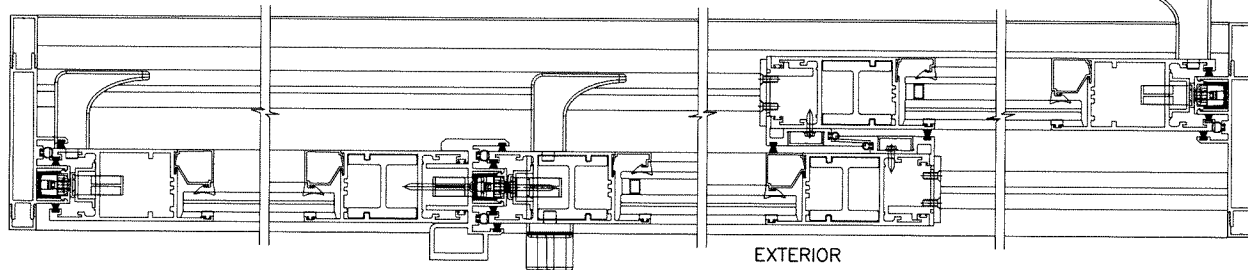
O-XO (SHOWN)  
OX-O



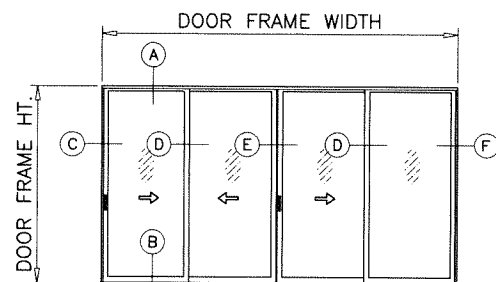
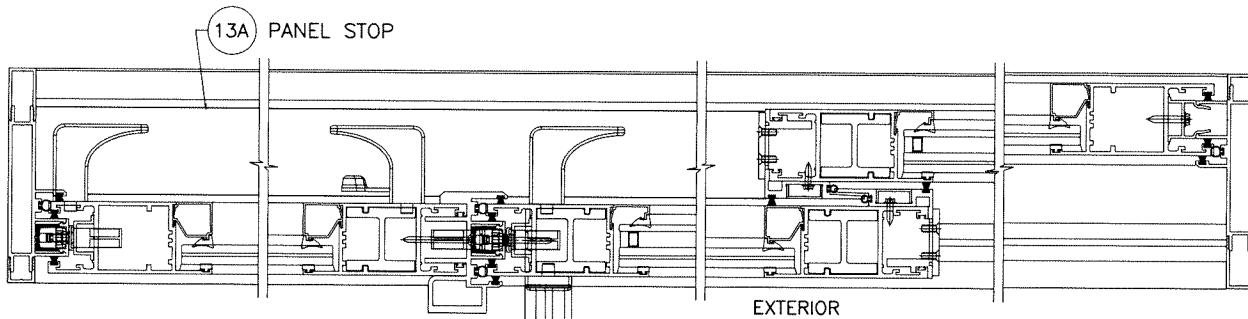
SEE SHEET 10.1  
FOR FIX. PANEL CLIP  
DETAILS



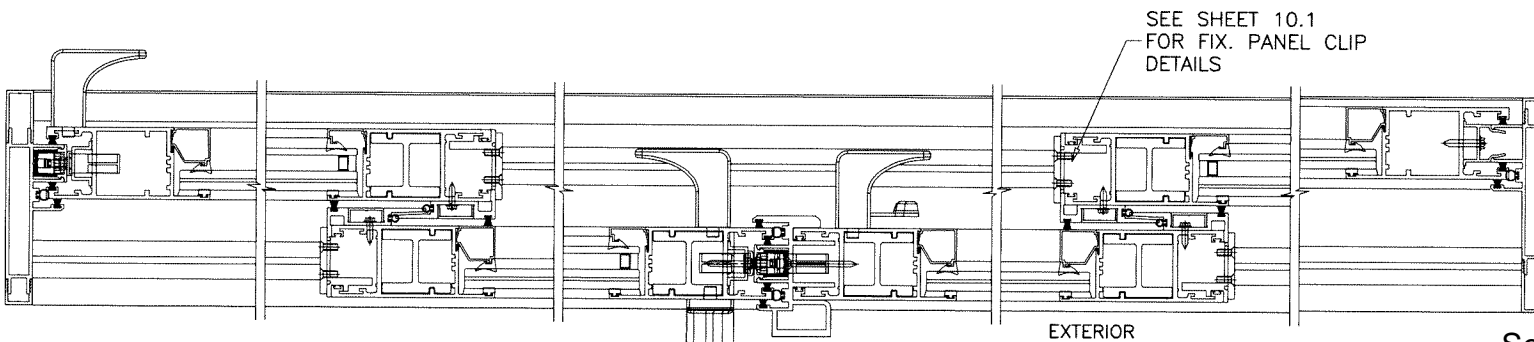
X-XX (SHOWN)  
XX-X



X-XO (SHOWN)  
OX-X



XX-XO (SHOWN)  
OX-XO  
XX-XX

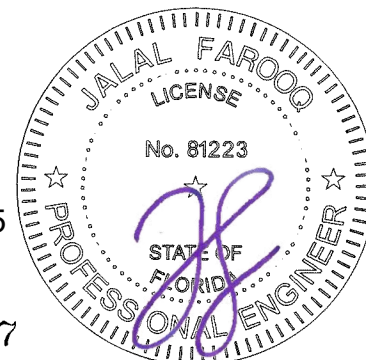


SEE SHEET 10.1  
FOR FIX. PANEL CLIP  
DETAILS

Sealed: 9/30/2025

FL #47807

APPROVED CONFIGURATIONS  
TWO (2) TRACKS



**af c**  
**AL-FAROOQ CORPORATION**  
ENGINEERS & PRODUCT DEVELOPMENT  
9360 SUNSET DRIVE, SUITE 220  
MIAMI, FLORIDA 33173 (C.A.N. 3538)  
TEL. (305) 264-8100 FAX. (305) 262-6978  
COMP-ANL 25-80F-EII

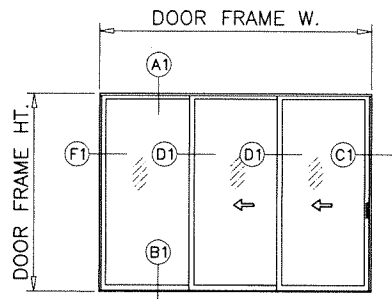
SERIES E0450 ALUM SLIDING GLASS DOOR (L.M.I.)  
**Eurocraft Industries Inc.**  
7905 N.W. 77th Ave.  
Medley, FL. 33166  
Phone: (305) 713-1871 Fax: (305) 713-1872

revisions:	no	date	by	description

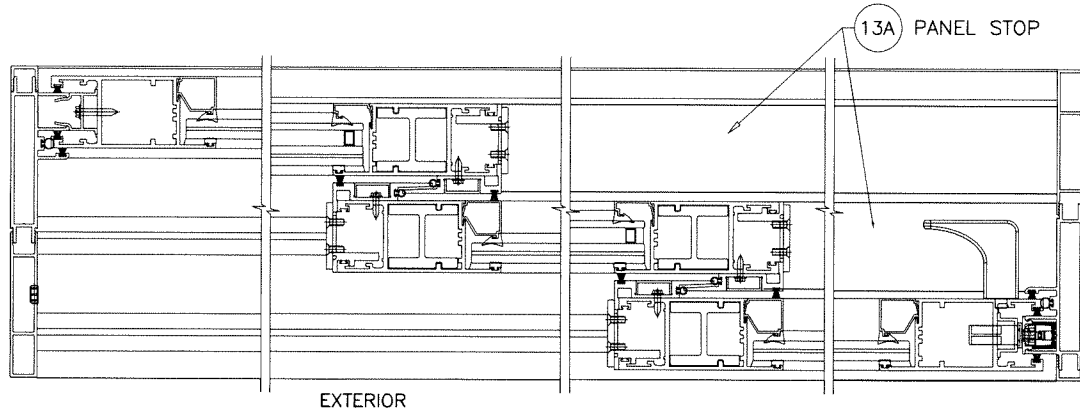
date: 09-10-25  
scale: -  
dr. by: TARIQ  
chk. by:

drawing no.  
**25-80F**

sheet 6 of 18

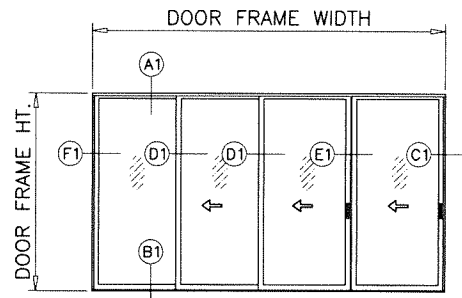


OXX (SHOWN)  
XXO  
XXX

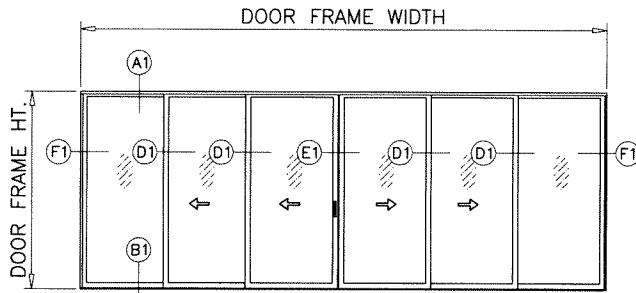
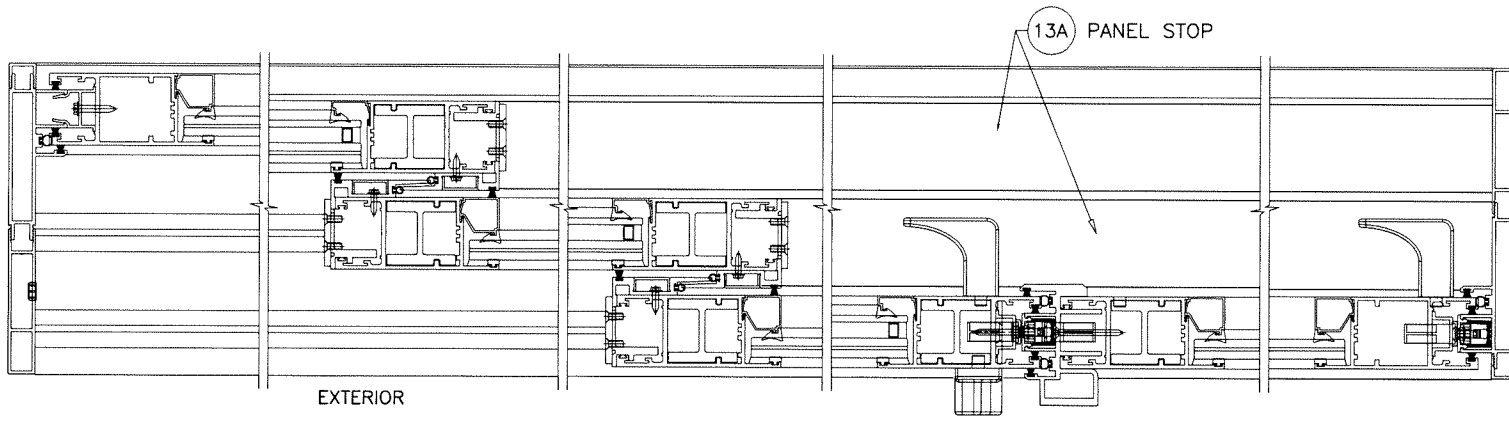


NOTE:  
CONFIGURATIONS SHOWN FOR ILLUSTRATION PURPOSE  
SEE APPLICABLE DESIGN PRESSURES & SIZES IN SHEET 2  
AND ANCHOR INSTALLATION IN SHEETS 11 & 12.

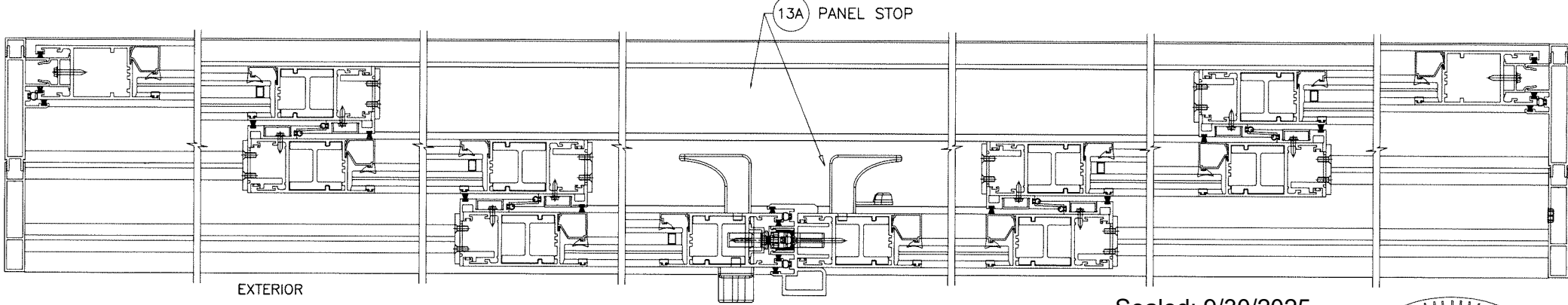
MAX. FRAME AREA OF TWO (3) TRACK S.G.D. SHALL NOT  
EXCEED 352 SQ. FT.  
DOOR PANEL AREA SHALL NOT EXCEED 40.0 SQ. FT.  
PER FBC REQUIREMENTS.



OXX-X (SHOWN)  
X-XXO  
XXX-X  
X-XXX



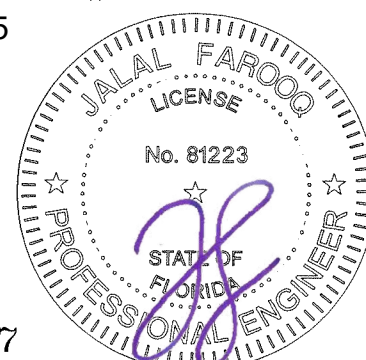
OXX-XXO (SHOWN)  
XXX-XXX



Sealed: 9/30/2025

APPROVED CONFIGURATIONS  
THREE (3) TRACKS

FL #47807



**af c**  
**AL-FAROOQ CORPORATION**  
ENGINEERS & PRODUCT DEVELOPMENT  
9360 SUNSET DRIVE, SUITE 220 (C.A.N. 3538)  
MIAMI, FLORIDA 33173  
TEL. (305) 264-8100 FAX. (305) 262-6978  
COMP-ANL\25-80F-EII

SERIES EC450 ALUM SLIDING GLASS DOOR (L.M.I.)  
**Eurocraft Industries Inc.**  
7905 N.W. 77th Ave.  
Medley, FL. 33166  
Phone: (305) 713-1871 Fax: (305) 713-1872

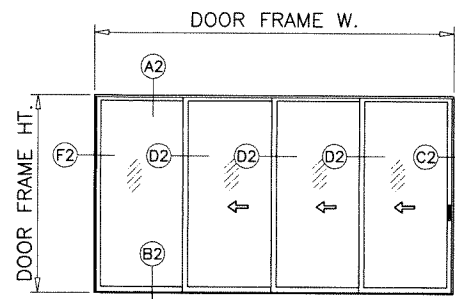
revisions:	no	date	by	description

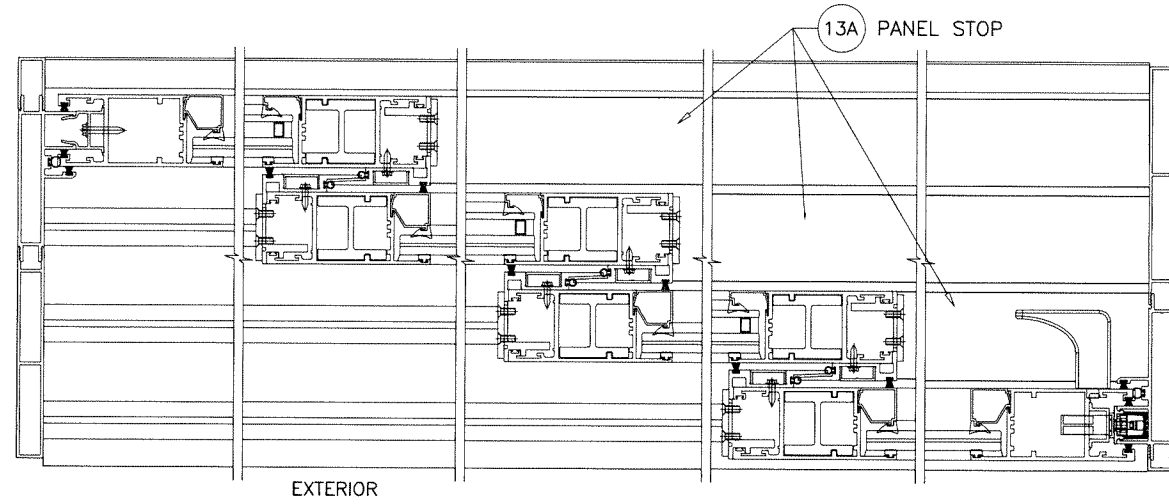
date:	09-10-25
scale:	-
dr. by:	TARIQ
chk. by:	

drawing no.	25-80F
sheet	7 of 18

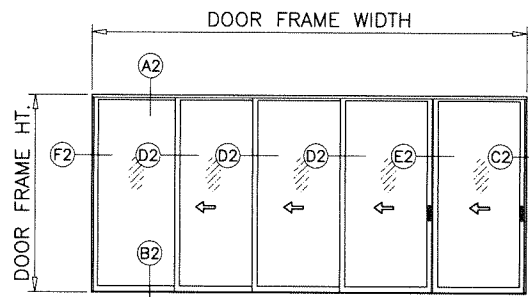


OXXX (SHOWN)  
 XXXO  
 XXXX

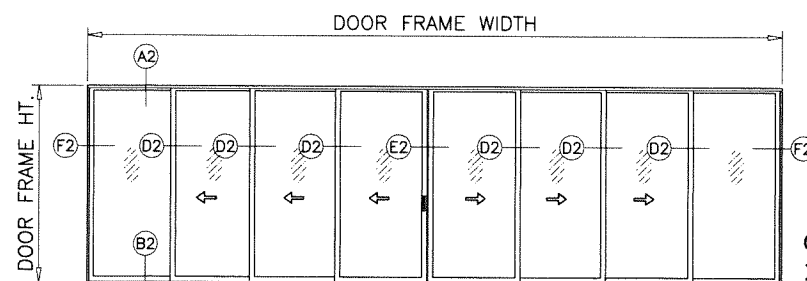
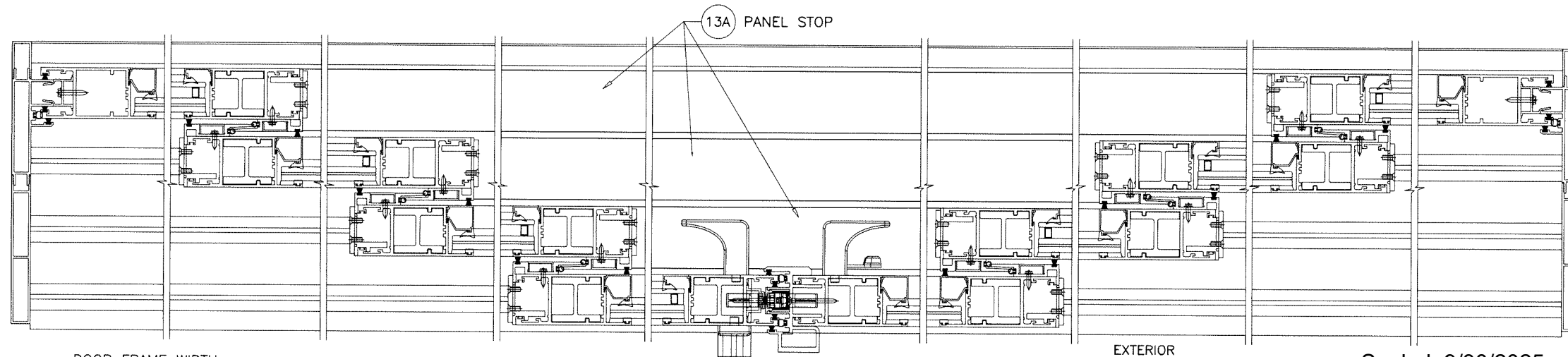
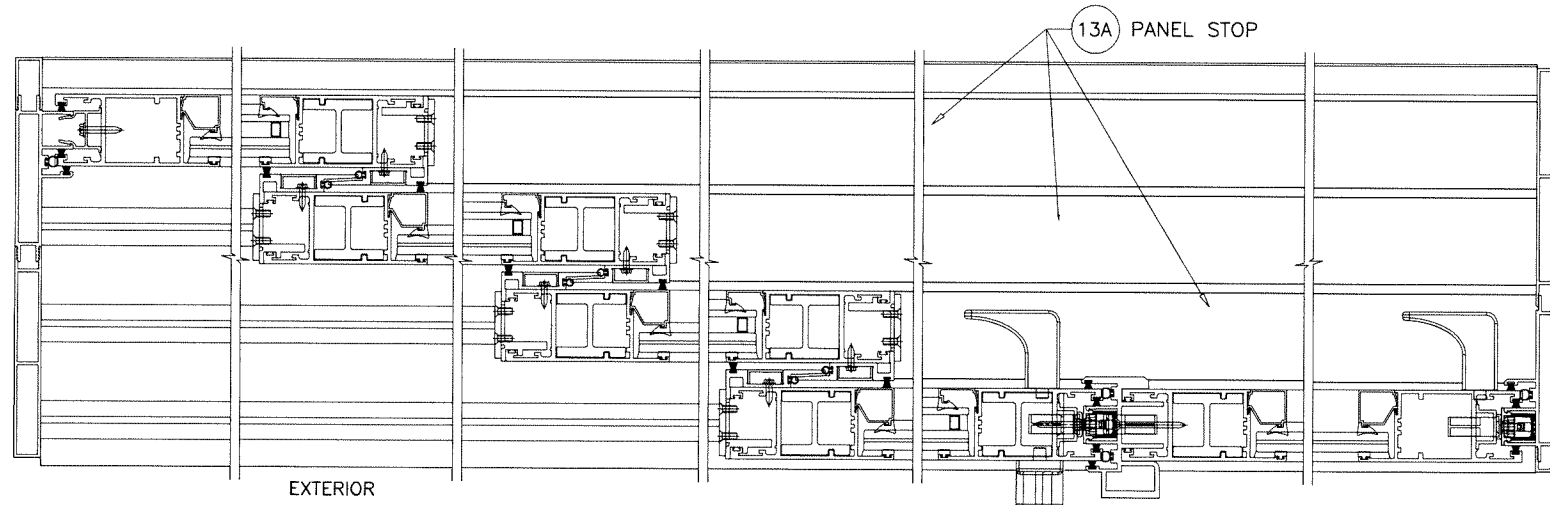


NOTE:  
 CONFIGURATIONS SHOWN FOR ILLUSTRATION PURPOSE  
 SEE APPLICABLE DESIGN PRESSURES & SIZES IN SHEET 2  
 AND ANCHOR INSTALLATION IN SHEETS 13 THRU 15.

MAX. FRAME AREA OF TWO (4) TRACK S.G.D. SHALL NOT  
 EXCEED 352 SQ. FT.  
 DOOR PANEL AREA SHALL NOT EXCEED 40.0 SQ. FT.  
 PER FBC REQUIREMENTS.



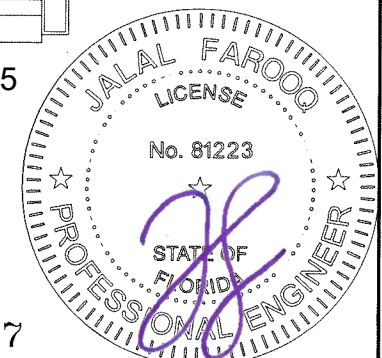
OXXX-X (SHOWN)  
 X-XXXX  
 XXXX-X  
 X-XXXX



OXXX-XXXO (SHOWN)  
 XXXX-XXXX

APPROVED CONFIGURATIONS  
 FOUR (4) TRACKS

Sealed: 9/30/2025



FL #47807

**af c**  
**AL-FAROOQ CORPORATION**  
 ENGINEERS & PRODUCT DEVELOPMENT  
 9360 SUNSET DRIVE, SUITE 220  
 MIAMI, FLORIDA 33173 (C.A.N. 3538)  
 TEL. (305) 264-8100 FAX. (305) 262-6978  
 COMP-ANL \25-80F-EII

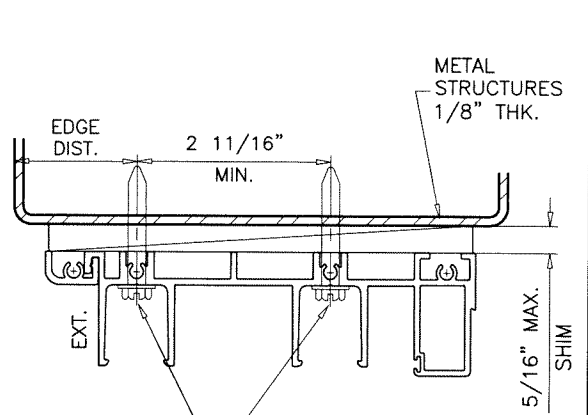
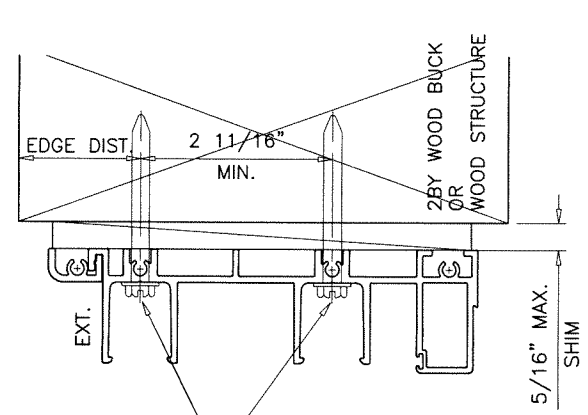
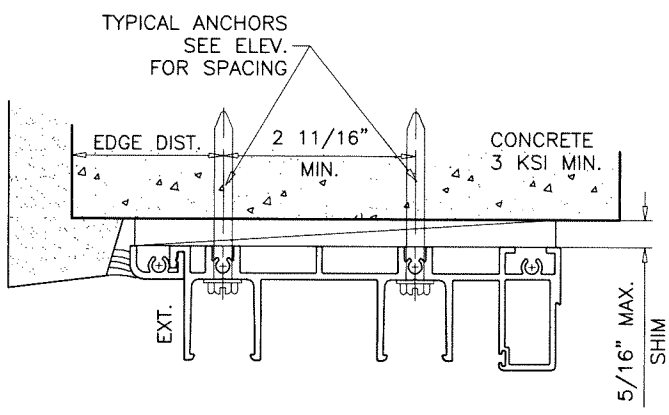
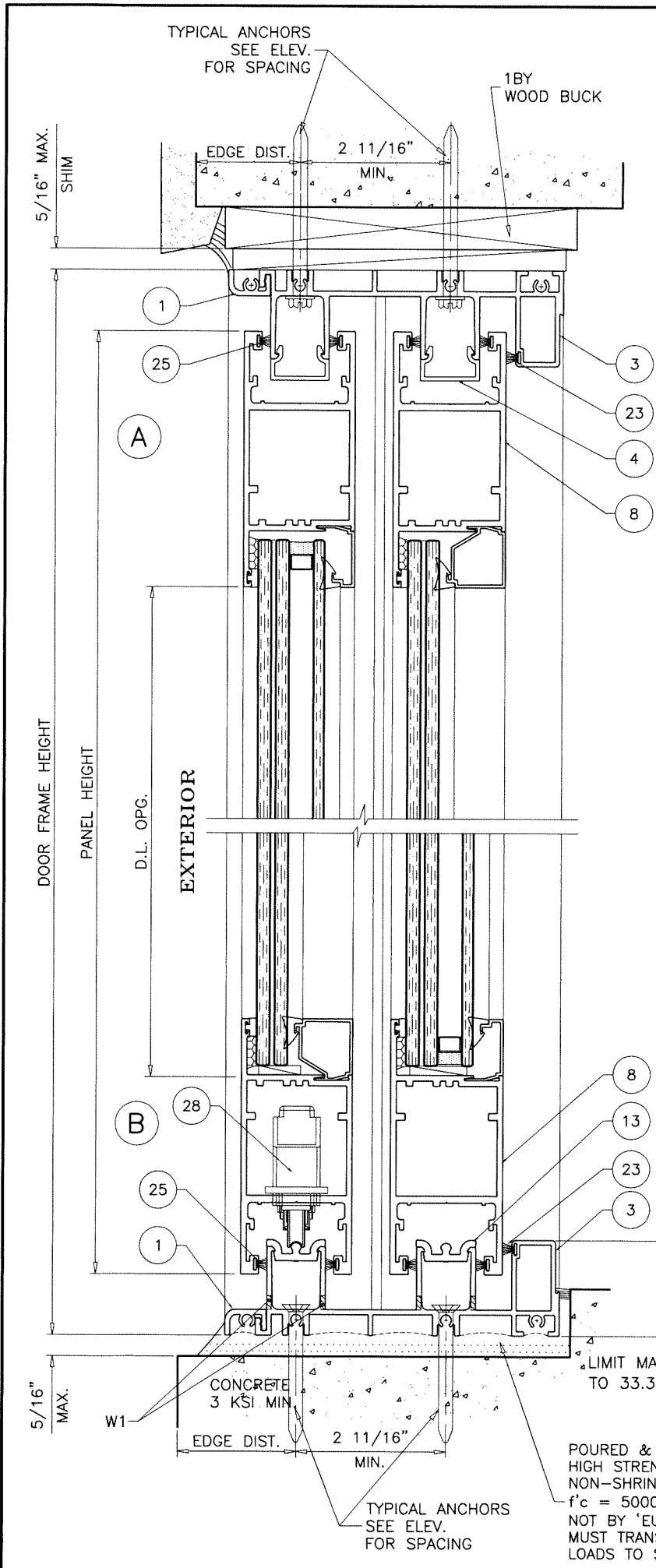
SERIES EC450 ALUM SLIDING GLASS DOOR (L.M.I.)  
**Eurocraft Industries Inc.**  
 7905 N.W. 77th Ave.  
 Medley, FL. 33166  
 Phone: (305) 713-1871 Fax: (305) 713-1872

revisions:	no	date	by	description

date: 09-10-25  
 scale: -  
 dr. by: TARIQ  
 ch. by:

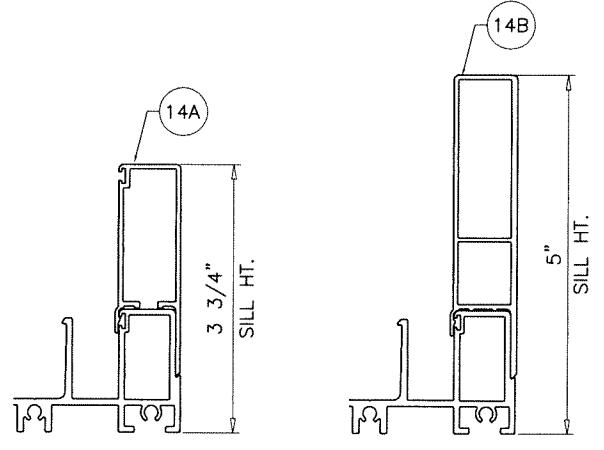
drawing no.  
**25-80F**

sheet 8 of 18



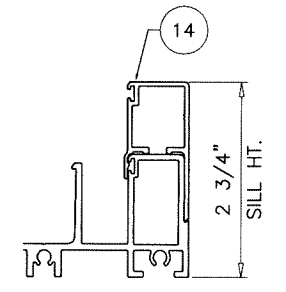
1BY OR 2BY WOOD BUCKS AND METAL STRUCTURE NOT BY 'EURORAFT' MUST SUSTAIN LOADS IMPOSED BY GLAZING SYSTEM AND TRANSFER THEM TO THE BUILDING STRUCTURE.

**TYPICAL ANCHORS:** SEE ELEV. FOR SPACING  
**5/16" DIA. ULTRACON BY 'DEWALT'** (Fu=177 KSI, Fy=155 KSI) INTO 2BY WOOD BUCKS OR WOOD STRUCTURES 1-1/2" MIN. PENETRATION INTO WOOD (HEAD/JAMBS) THRU 1BY BUCKS INTO CONC. OR BLOCKS 1-3/4" MIN. EMBED INTO CONCRETE (HEAD/JAMBS) 1-3/4" MIN. EMBED INTO GROUT-FILLED BLOCKS (JAMBS)  
**5/16" DIA. ULTRACON BY 'DEWALT'** (Fu=177 KSI, Fy=155 KSI) DIRECTLY INTO CONCRETE OR BLOCKS 1-3/4" MIN. EMBED INTO CONCRETE (HEAD/SILL/JAMBS) 1-3/4" MIN. EMBED INTO GROUT-FILLED BLOCKS (JAMBS)  
**5/16" DIA. TEKS OR SELF-DRILLING SCREWS** (GRADE 5 CRS) INTO F.B.C. APPROVED MULLIONS OR INTO METAL STRUCTURES (HEAD/JAMBS) (3) THREADS MIN. TO EXTEND BEYOND METAL THICKNESS ALUMINUM: 1/8" THK. MIN. (6063-T5 MIN.) STEEL: 1/8" THK. MIN. (Fy = 36 KSI MIN.) (STEEL IN CONTACT WITH ALUMINUM TO BE PLATED OR PAINTED)



LIMIT MAX. EXT.(+) LOADS TO 95.0 PSF AND MAX. PANEL AREA TO 40.0 SQ. FT.

MAX. EXT.(+) LOADS 140.0 PSF



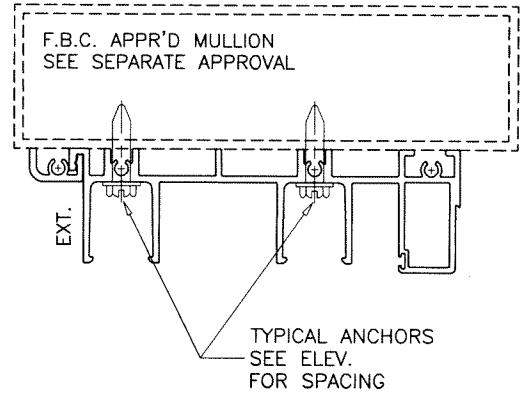
LIMIT MAX. EXT.(+) LOADS TO 60.0 PSF AND MAX. PANEL AREA TO 40.0 SQ. FT.

**CRITICAL EDGE DISTANCE**  
 INTO CONCRETE AND BLOCKS = 2-1/2" MIN.  
 INTO WOOD STRUCTURE = 1-1/4" MIN.  
 INTO METAL STRUCTURE = 3/4" MIN.

WOOD AT HEAD OR JAMBS SG = 0.55 MIN.  
 CONCRETE AT HEAD, SILL OR JAMBS f'c = 3000 PSI MIN.  
 C-90 GROUT-FILLED BLOCK AT JAMBS f'm = 2000 PSI MIN.

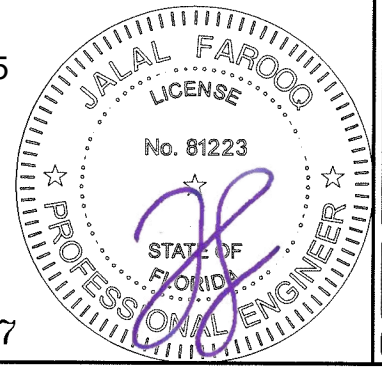
ANCHORS MAY BE HEX OR FLAT HEAD

**WEEPHOLES:**  
 W1 = 3/16" X 3" LONG WEEP HOLES AT 10" FROM EACH END.



2 TRACK FRAMES

Sealed: 9/30/2025

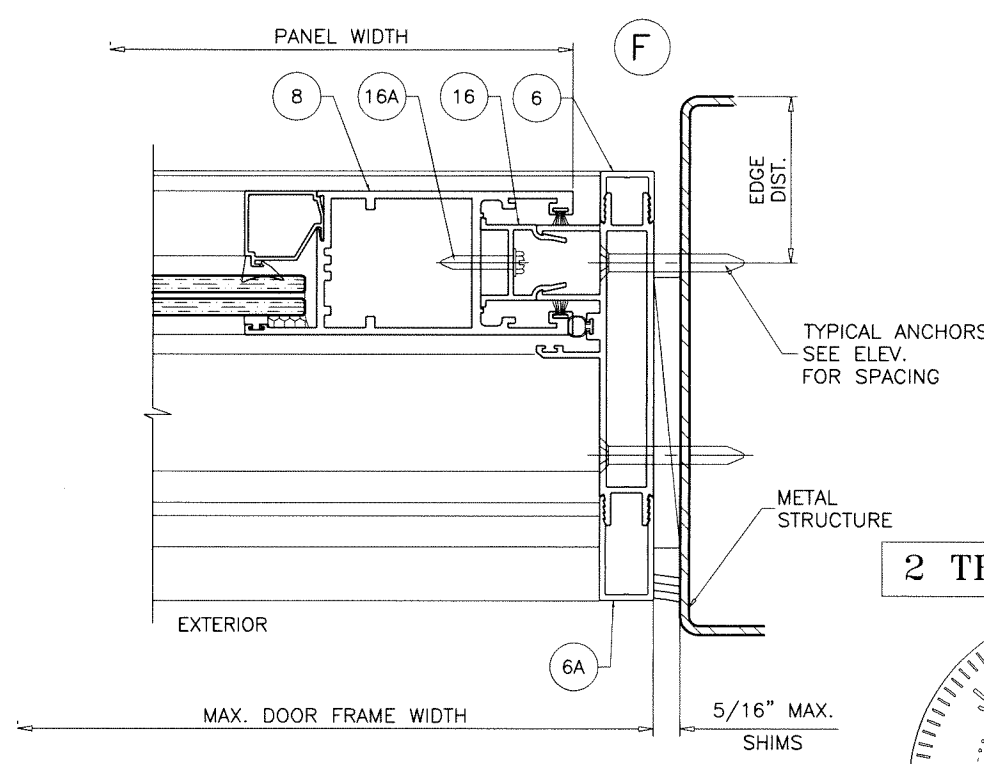
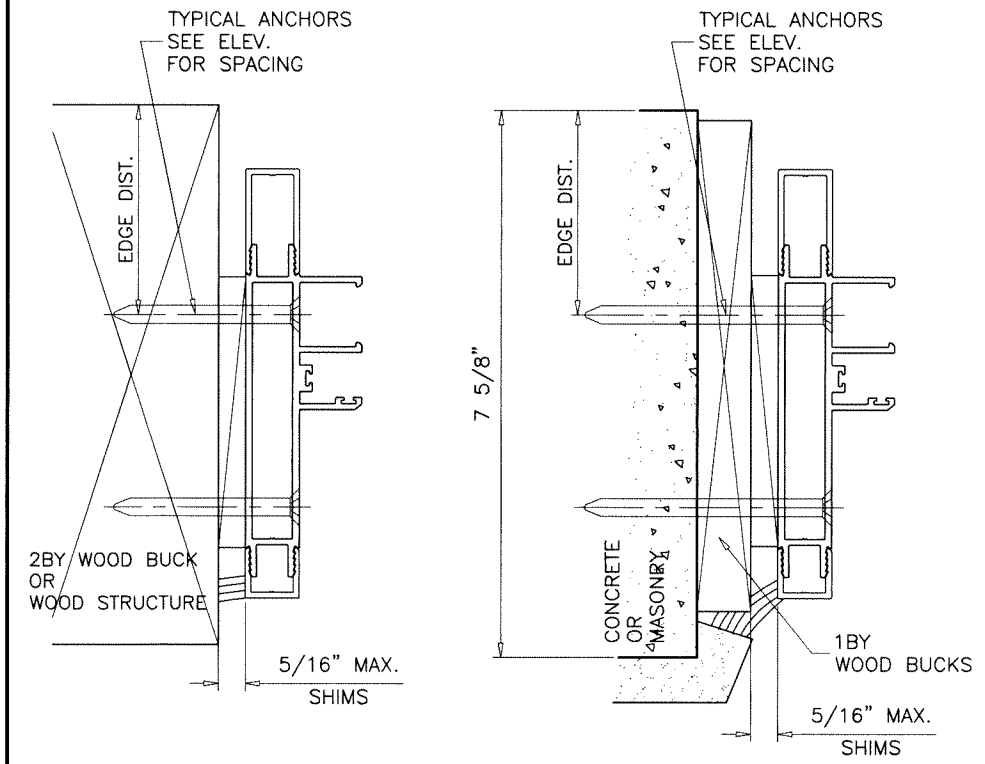
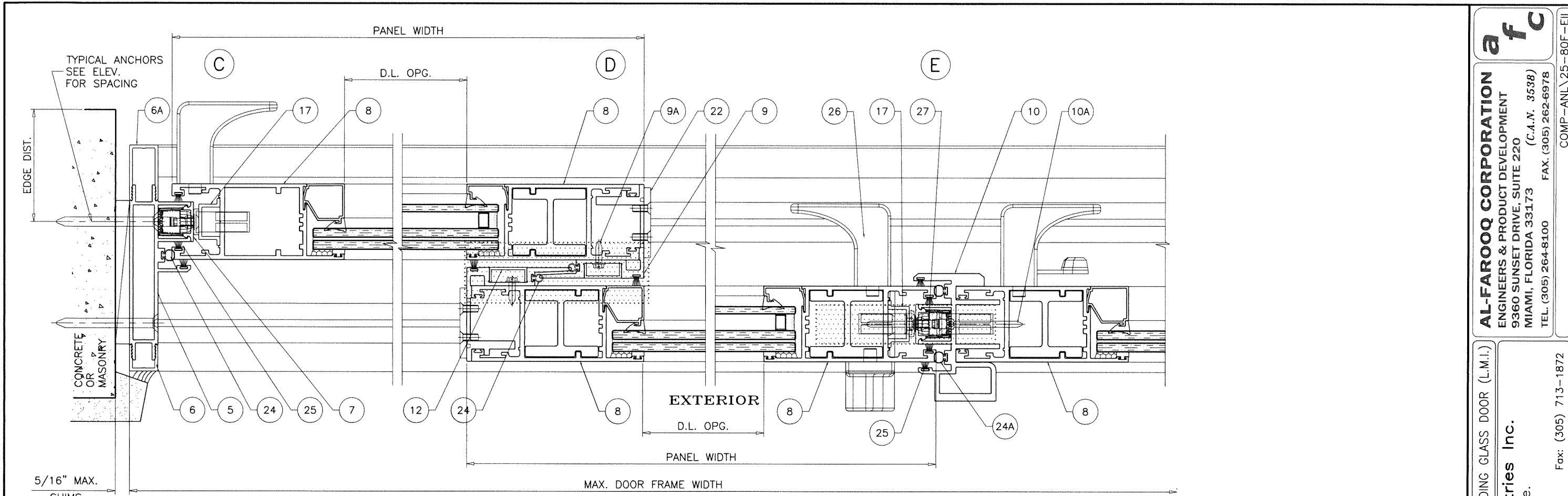


FL #47807

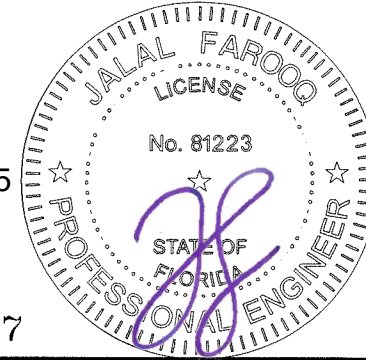
**af c**  
**AL-FAROOQ CORPORATION**  
 ENGINEERS & PRODUCT DEVELOPMENT  
 9360 SUNSET DRIVE, SUITE 220  
 MIAMI, FLORIDA 33173 (C.A.N. 3538)  
 TEL. (305) 264-8100 FAX. (305) 262-6978  
 COMP-ANL \25-80F-EII

SERIES EC450 ALUM SLIDING GLASS DOOR (L.M.I.)  
**Eurocraft Industries Inc.**  
 7905 N.W. 77th Ave.  
 Medley, FL 33166  
 Phone: (305) 713-1871 Fax: (305) 713-1872

revisions:	no	date	by	description
date:	09-10-25	scale:	3/8" = 1"	
dr. by:	TARIC	chk. by:		
drawing no.	25-80F			
sheet	9 of 18			



**2 TRACK FRAMES**



Sealed: 9/30/2025

FL #47807

**af c**  
**AL-FAROOQ CORPORATION**  
 ENGINEERS & PRODUCT DEVELOPMENT  
 9360 SUNSET DRIVE, SUITE 220 (C.A.N. 3538)  
 MIAMI, FLORIDA 33173  
 TEL. (305) 264-8100 FAX. (305) 262-6978  
 COMP-ANL\25-80F-EII

SERIES EC450 ALUM SLIDING GLASS DOOR (L.M.I.)  
**Eurocraft Industries Inc.**  
 7905 N.W. 77th Ave.  
 Medley, FL. 33166  
 Phone: (305) 713-1871 Fax: (305) 713-1872

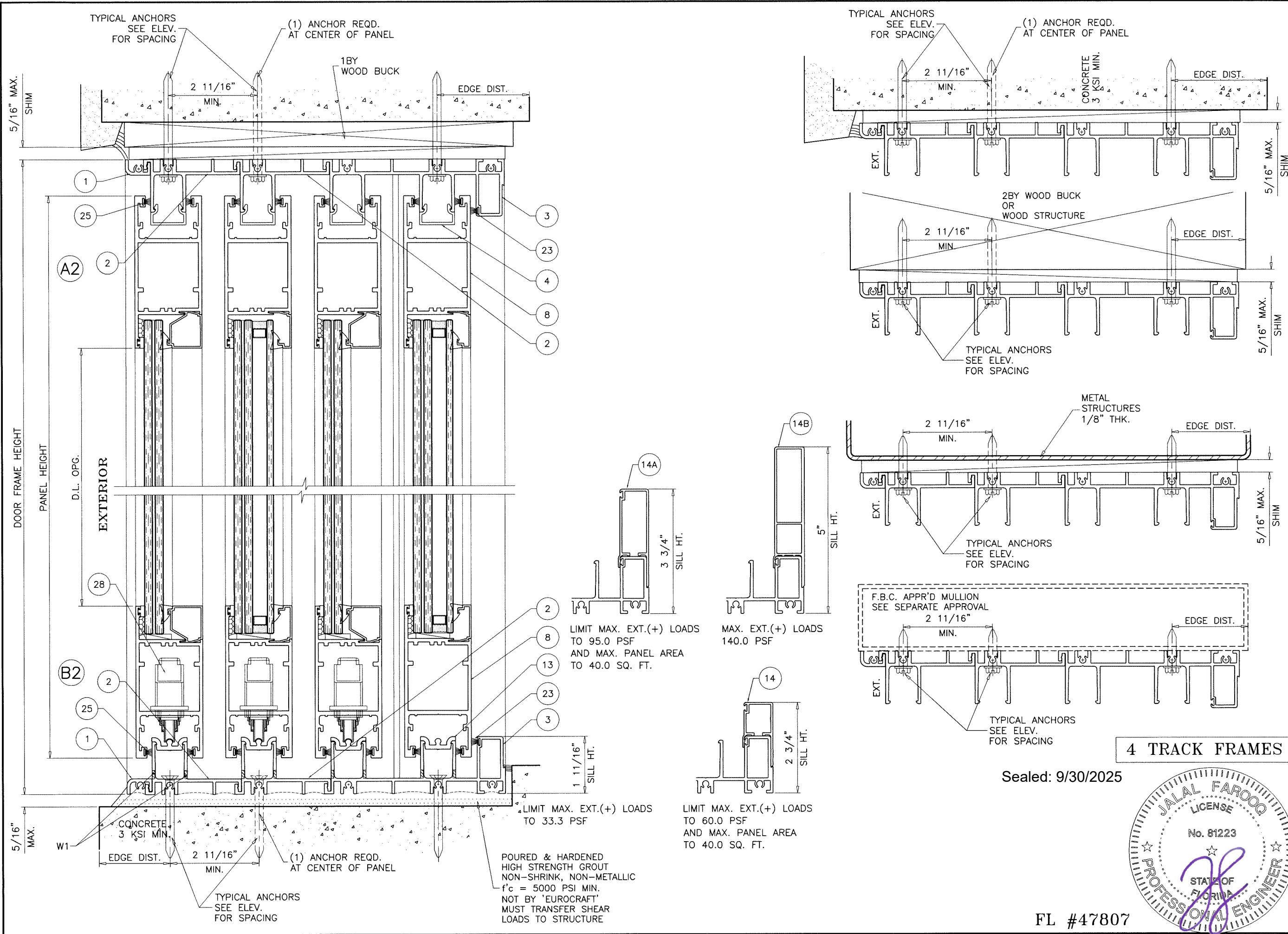
revisions:	
no	date by description

date: 09-10-25  
 scale: 3/8" = 1"  
 dr. by: TARIQ  
 chk. by:   
 drawing no. **25-80F**  
 sheet 10 of 18









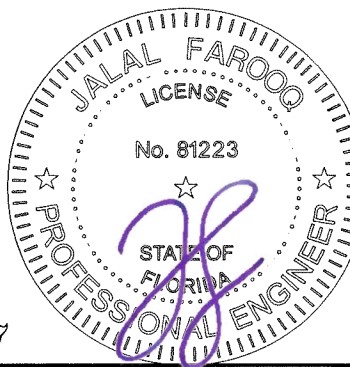
**af c**  
**AL-FAROOQ CORPORATION**  
 ENGINEERS & PRODUCT DEVELOPMENT  
 9360 SUNSET DRIVE, SUITE 220  
 MIAMI, FLORIDA 33173 (C.A.N. 3538)  
 TEL. (305) 264-8100 FAX. (305) 262-6978  
 COMP-ANL\25-80F-EII

SERIES EC450 ALUM SLIDING GLASS DOOR (L.M.I.)  
**Eurocraft Industries Inc.**  
 7905 N.W. 77th Ave.  
 Medley, FL. 33166  
 Phone: (305) 713-1871 Fax: (305) 713-1872

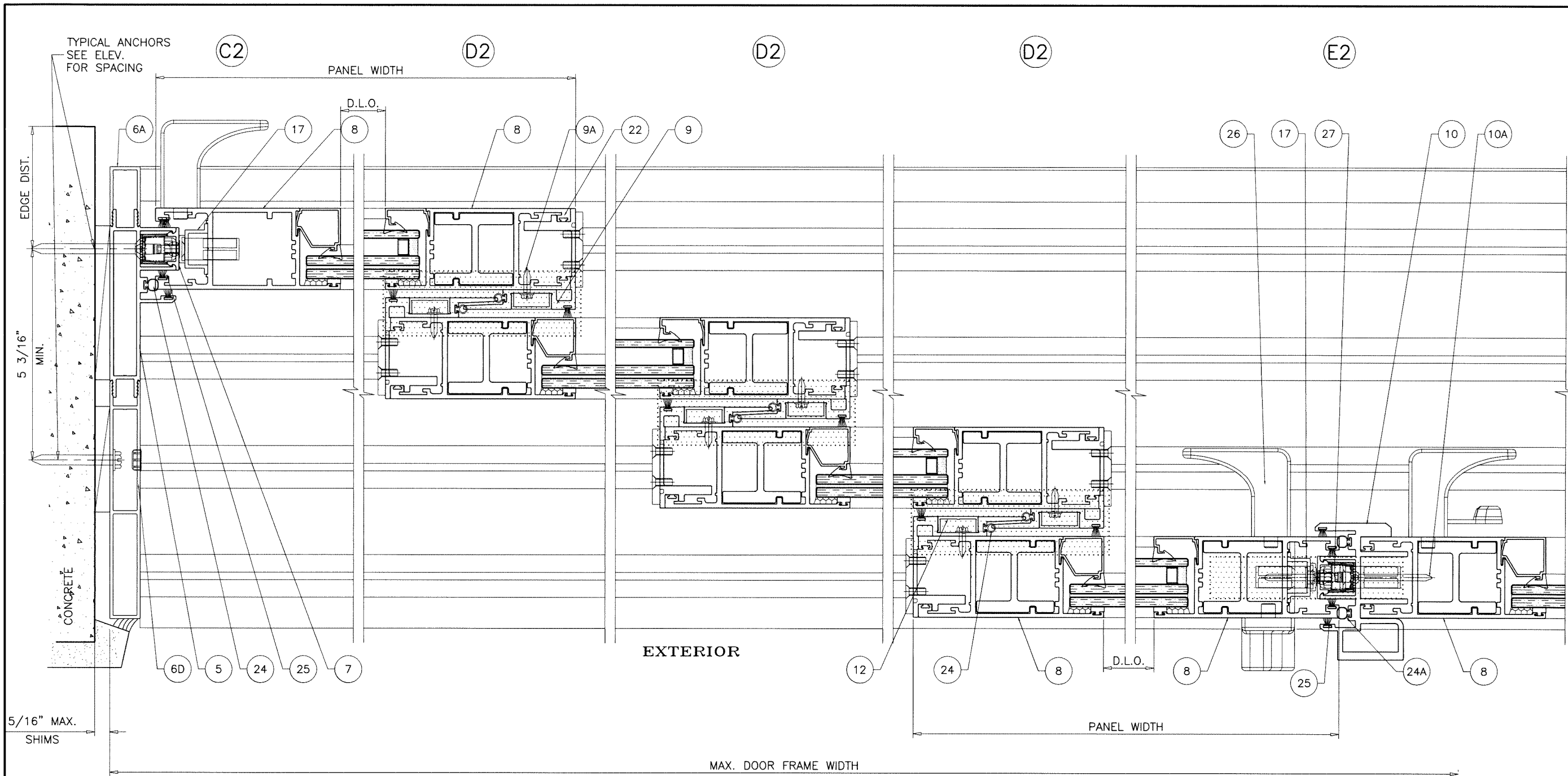
revisions:	no.	date	by	description
date:	09-10-25	scale:	3/8" = 1"	
dr. by:	TARIQ	chk. by:		
drawing no.	25-80F			
sheet	13 of 18			

**4 TRACK FRAMES**

Sealed: 9/30/2025



FL #47807



**afc**  
**AL-FAROOQ CORPORATION**  
 ENGINEERS & PRODUCT DEVELOPMENT  
 9360 SUNSET DRIVE, SUITE 220  
 MIAMI, FLORIDA 33173 (C.A.N. 3538)  
 TEL. (305) 264-8100 FAX. (305) 262-6978  
 COMP-ANL\25-80F-EII

SERIES EC450 ALUM SLIDING GLASS DOOR (L.M.I.)  
**Eurocraft Industries Inc.**  
 7905 N.W. 77th Ave.  
 Medley, FL. 33166  
 Phone: (305) 713-1871 Fax: (305) 713-1872

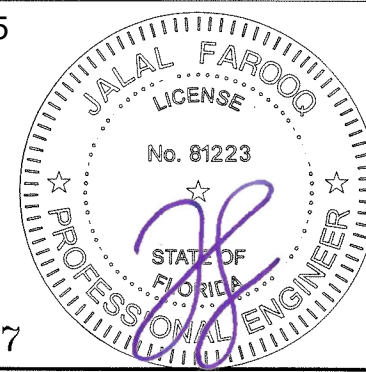
revisions:	
no	date by description

date: 09-10-25	scale: 3/8" = 1"
dr. by: TARIQ	chk. by:

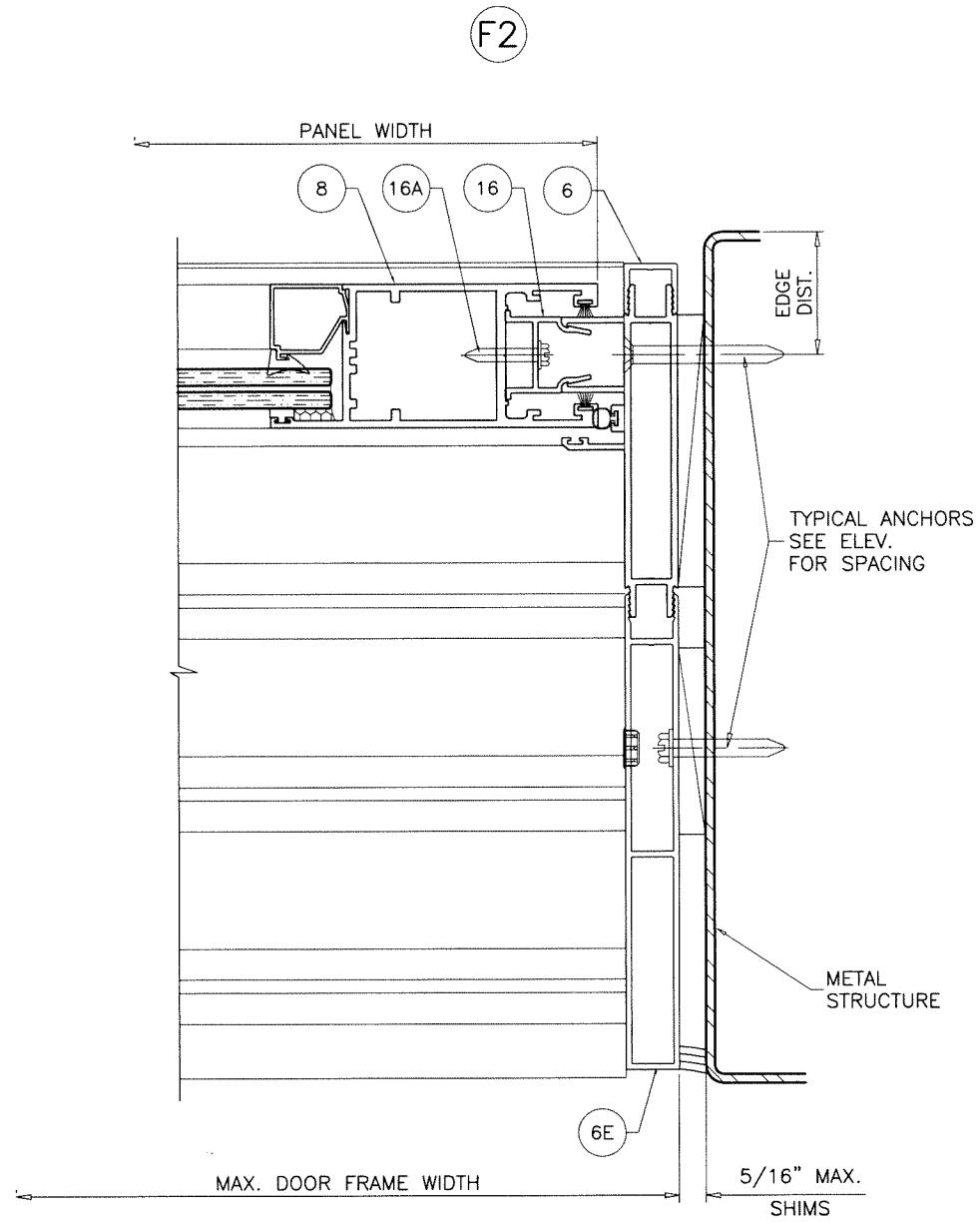
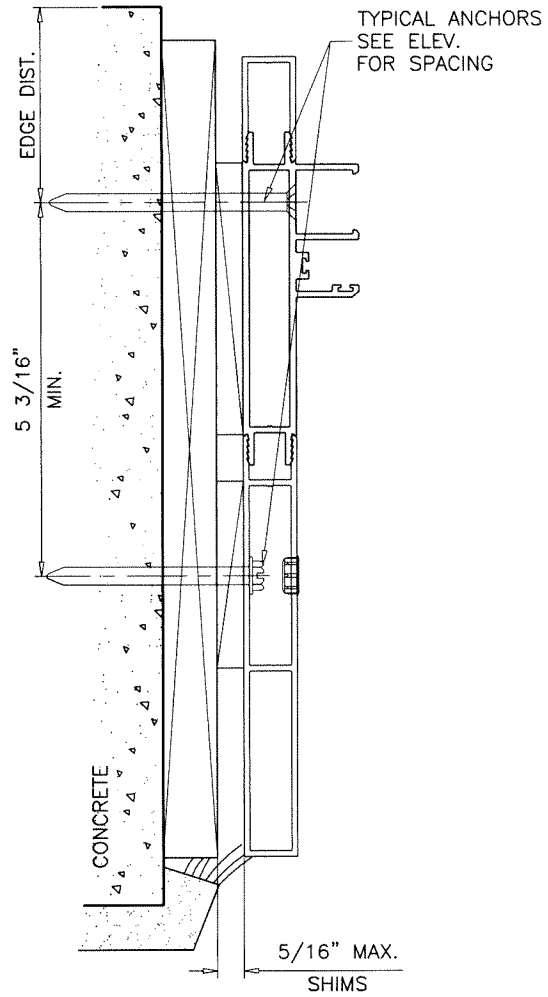
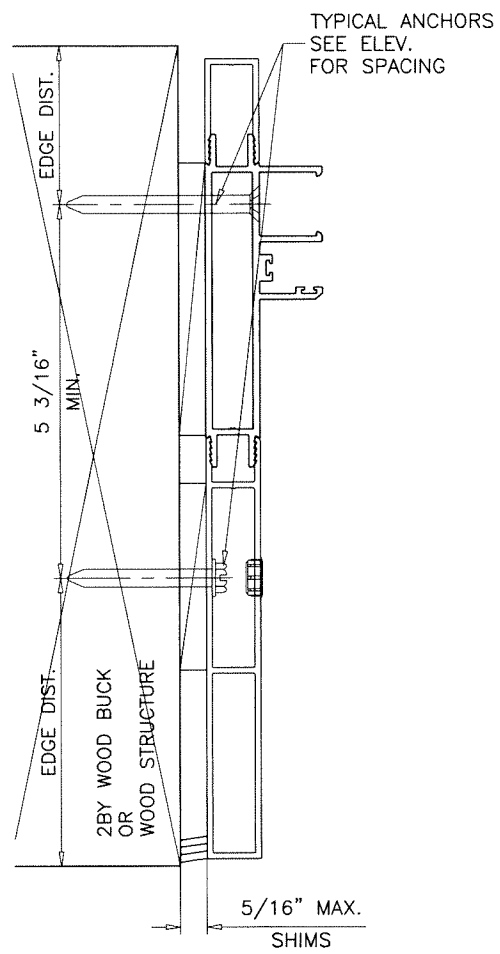
drawing no.  
**25-80F**  
 sheet 14 of 18

**4 TRACK FRAMES**

Sealed: 9/30/2025



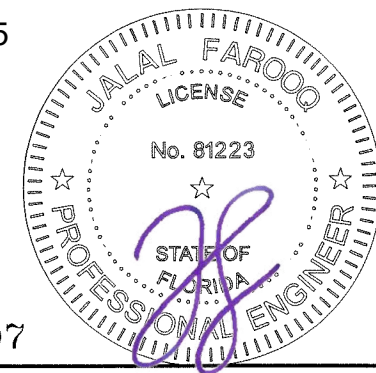
FL #47807



**4 TRACK FRAMES**

Sealed: 9/30/2025

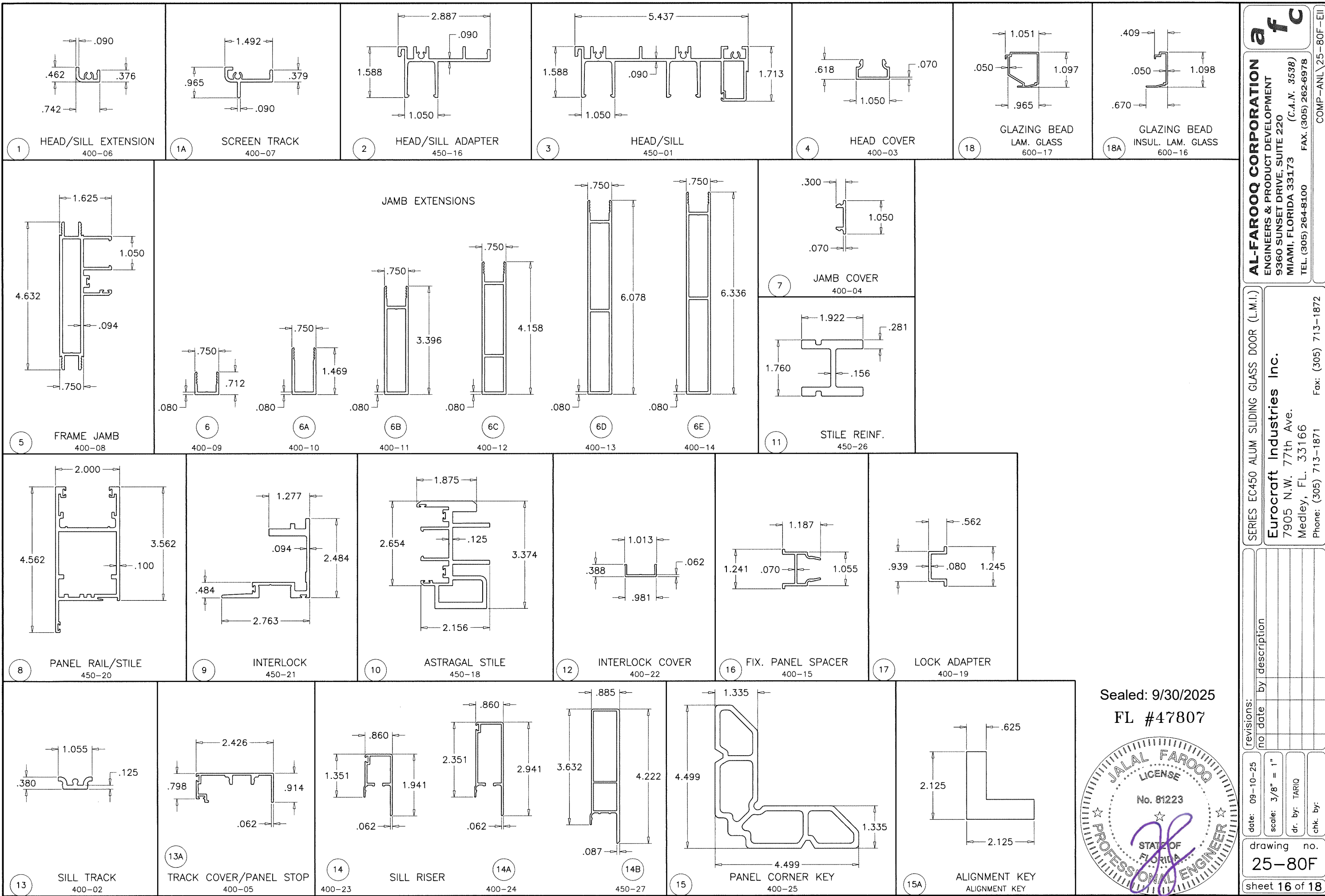
FL #47807



SERIES EC450 ALUM SLIDING GLASS DOOR (L.M.I.)  
**Eurocraft Industries Inc.**  
 7905 N.W. 77th Ave.  
 Medley, FL. 33166  
 Phone: (305) 713-1871 Fax: (305) 713-1872

**af c**  
**AL-FAROOQ CORPORATION**  
 ENGINEERS & PRODUCT DEVELOPMENT  
 9360 SUNSET DRIVE, SUITE 220  
 MIAMI, FLORIDA 33173 (C.A.N. 3538)  
 TEL. (305) 264-8100 FAX. (305) 262-6978  
 COMP-ANL\25-80F-EU

revisions:	no	date	by	description
date:	09-10-25	scale:	3/8" = 1"	
dr. by:	TARIQ	chk. by:		
drawing no.	25-80F			
sheet	15 of 18			



**af c**  
**AL-FAROOQ CORPORATION**  
 ENGINEERS & PRODUCT DEVELOPMENT  
 9360 SUNSET DRIVE, SUITE 220  
 MIAMI, FLORIDA 33173 (C.A.N. 3538)  
 TEL. (305) 264-8100 FAX. (305) 262-6978  
 COMP-ANL\25-80F-EII

SERIES EC450 ALUM SLIDING GLASS DOOR (L.M.I.)  
**Eurocraft Industries Inc.**  
 7905 N.W. 77th Ave.  
 Medley, FL. 33166  
 Phone: (305) 713-1871 Fax: (305) 713-1872

Sealed: 9/30/2025  
 FL #47807



revisions:	no	date	by	description

date: 09-10-25  
 scale: 3/8" = 1"  
 dr. by: TARIQ  
 chk. by:

drawing no.  
**25-80F**

sheet 16 of 18

ITEM #	PART #	QUANTITY	DESCRIPTION	MATERIAL	MANF./SUPPLIER/REMARKS
1	400-06	2	HEAD/SILL EXTENSION	6063-T5	-
1A	400-07	2	SCREEN TRACK	6063-T5	-
2	400-16	AS REQD.	HEAD/SILL ADAPTER	6063-T6	-
3	450-01	2	FRAME HEAD/SILL	6063-T6	-
4	400-03	AS REQD.	HEAD COVER	6063-T5	-
5	400-08	2	FRAME JAMB	6063-T5	-
6	400-09	AS REQD.	JAMB EXTENSION	6063-T5	-
6A	400-10	AS REQD.	JAMB EXTENSION	6063-T5	-
6B	400-11	AS REQD.	JAMB EXTENSION	6063-T5	-
6C	400-12	AS REQD.	JAMB EXTENSION	6063-T5	-
6D	400-13	AS REQD.	JAMB EXTENSION	6063-T5	-
6E	400-14	AS REQD.	JAMB EXTENSION	6063-T5	-
7	400-04	AS REQD.	JAMB COVER	6063-T5	-
8	450-20	AS REQD.	PANEL RAIL/STILE	6063-T6	-
9	450-21	AS REQD.	INTERLOCK	6005-T5	-
9A	#8 X 3/4"	AS REQD.	INTERLOCK FASTENERS, AT 6" FROM ENDS & 20" O.C. MAX.	ST. STEEL	PH SMS
10	450-18	AS REQD.	ASTRAGAL STILE	6005-T5	-
10A	#10 X 2"	AS REQD.	ASTRAGAL FASTENERS, AT 6" FROM ENDS & 20" O.C. MAX.	ST. STEEL	PH SMS
11	450-26	AS REQD.	STILE REINFORCING	6063-T6	-
12	400-22	AS REQD.	INTERLOCK COVER	6063-T5	-
13	400-02	AS REQD.	SILL TRACK	6063-T6	-
13A	400-05	AS REQD.	TRACK COVER/PANEL STOP	6063-T5	-
14	400-23	AS REQD.	SILL RISER	6063-T5	-
14A	400-24	AS REQD.	SILL RISER	6063-T5	-
14B	450-27	AS REQD.	SILL RISER	6063-T5	-
15	400-25	1/ CORNER	PANEL CORNER KEY	6063-T6	-
15A	-	2/ CORNER	ALIGNMENT KEY	ST. STEEL	-
16	400-15	3/ FIX. PANEL	FIXED PANEL SPACER, 5" LONG	6063-T5	AT 10" FROM EACH END & AT MIDSPAN
16A	#8 X 1-1/2"	2/ CLIP	FIXED PANEL FASTENERS	ST. STEEL	FH SELF DRILLING SCREWS
17	400-19	AS REQD.	LOCK ADAPTER, 8-3/8" LONG	6063-T5	AT LOCK LOCATION
18	600-17	AS REQD.	GLAZING BEAD (LAM. GLASS)	6063-T5	-
18A	600-16	AS REQD.	GLAZING BEAD (INSUL. LAM. GLASS)	6063-T5	-
19	E7011768	AS REQD.	INTERIOR GLAZING GASKET	EPDM	DUROMETER 60±5 SHORE A
20	82505	AS REQD.	EXTERIOR GLAZING GASKET	TPV/POLYPROP	-
21	-	2/ LITE	SETTING BLOCK	EPDM	DUROMETER 80±5 SHORE A
22	-	2/ PANEL	INTERLOCK GUIDE AT TOP & BOTTOM	NYLON	FASTENED WITH (2) #8 X 1" FH SDS
23	-	AS REQD.	FIN SEAL W'STRIPPING	WOOL	-
24	MPI-83033	AS REQD.	INTERLOCK W'STRIPPING	TPV/POLYPROP	MELTPOINT
24A	MPI-83032	AS REQD.	ASTRAGAL W'STRIPPING	TPV/POLYPROP	MELTPOINT
25	W33251NK000B	AS REQD.	FIN SEAL PILE W'STRIPPING	WOOL	ULTRAFAB
26	-	-	LOCK AND HANDLE	-	-
27	-	-	ADJUSTABLE STRIKE	-	-
28	-	2/ MOV. PANEL	ROLLER ASSEMBLY, AT 8-1/2" FROM EACH END	-	FASTENED WITH (2) #10 X 1-1/2" FH SDS
29	#10 X 1-1/2"	-	FRAME ASSEMBLY FASTENERS	ST. STEEL	HWH SELF DRILLING SCREWS
30	-	-	-	-	-
31	-	-	-	-	-

**SEALANT:**

ALL JOINTS AND FRAME CONNECTIONS SEALED WITH WHITE/ALUMINUM COLORED SILICONE.

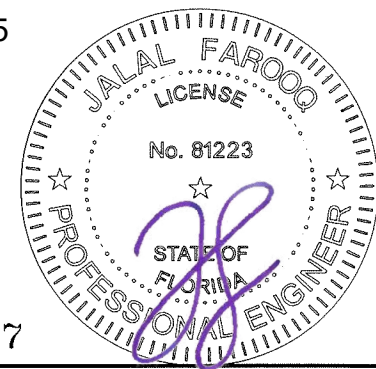
**LOCKS:**

SURFACE MOUNT METALLIC THREE PLY DUAL HOOK LOCK AT 38-3/4" FROM BOTTOM FASTENED TO LOCK STILE WITH (2) #8 X 1-1/4" FH SELF DRILLING SCREWS

SURFACE MOUNT METALLIC KEEPER FACING LOCK AT 39" FROM BOTTOM FASTENED WITH (2) #8 X 1-1/4" FH SMS

Sealed: 9/30/2025

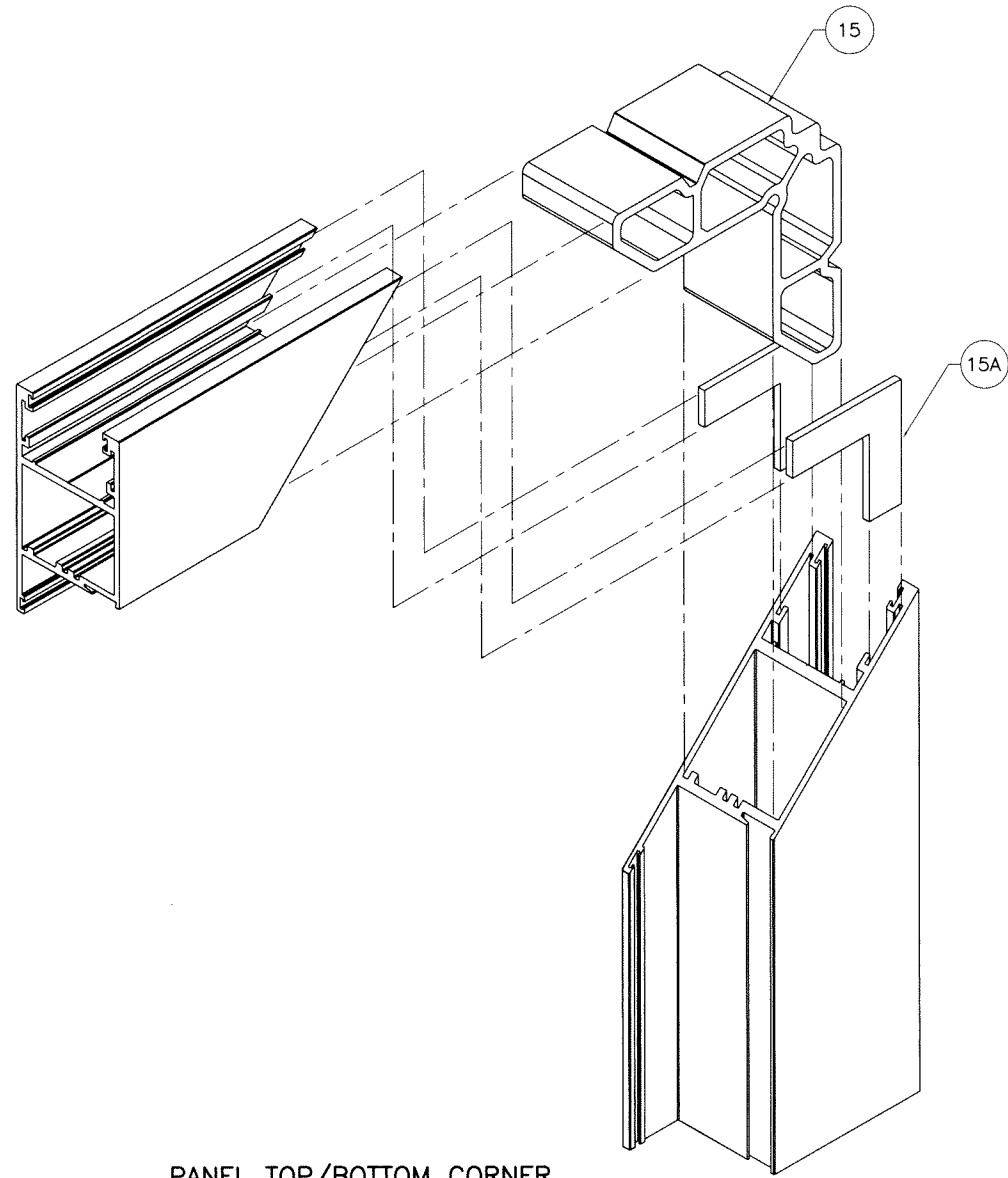
FL #47807



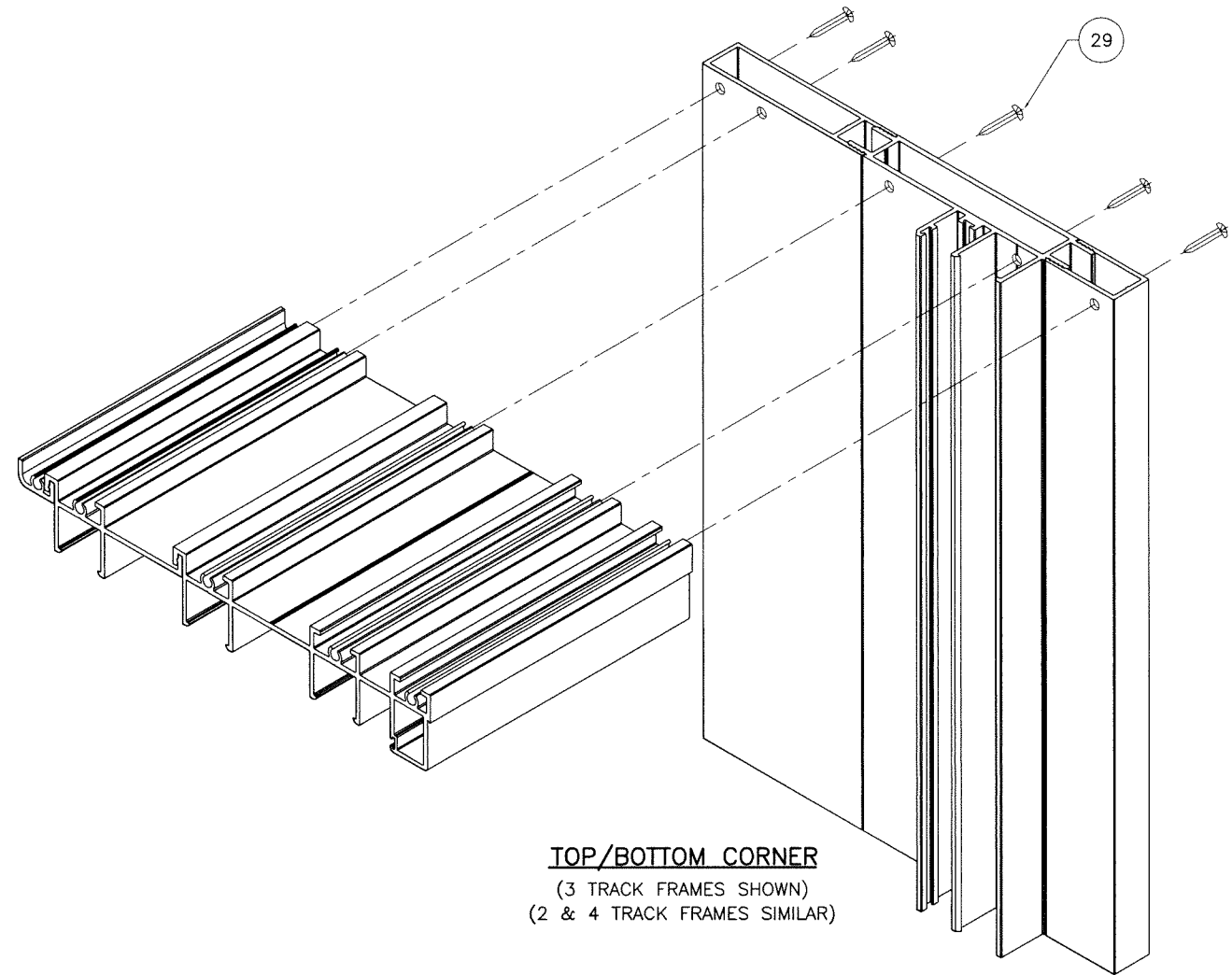
**af c**  
**AL-FAROOQ CORPORATION**  
ENGINEERS & PRODUCT DEVELOPMENT  
9360 SUNSET DRIVE, SUITE 220 (C.A.N. 3538)  
MIAMI, FLORIDA 33173 TEL. (305) 262-6978  
FAX. (305) 264-8100  
COMP - ANL \25-80F - E11

SERIES EC450 ALUM SLIDING GLASS DOOR (L.M.I.)  
**Eurocraft Industries Inc.**  
7905 N.W. 77th Ave.  
Medley, FL. 33166  
Phone: (305) 713-1871 Fax: (305) 713-1872

revisions:	no	date	by	description
date:	09-10-25			
scale:	3/8" = 1"			
dr. by:	TARIQ			
chk. by:				
drawing no.	25-80F			
sheet	17 of 18			



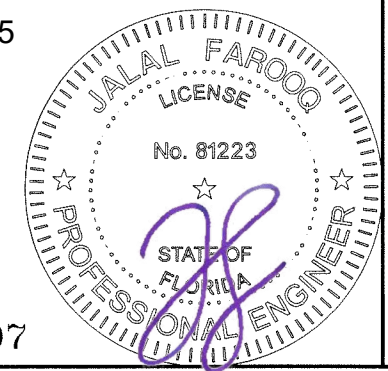
PANEL TOP/BOTTOM CORNER




TOP/BOTTOM CORNER  
 (3 TRACK FRAMES SHOWN)  
 (2 & 4 TRACK FRAMES SIMILAR)

Sealed: 9/30/2025

FL #47807



																	
<b>AL-FAROOQ CORPORATION</b> ENGINEERS & PRODUCT DEVELOPMENT 9360 SUNSET DRIVE, SUITE 220 MIAMI, FLORIDA 33173 (C.A.N. 3538) TEL: (305) 264-8100 FAX: (305) 262-6978																	
COMP - ANL \ 25 - 80F - EII																	
SERIES EC450 ALUM SLIDING GLASS DOOR (L.M.I.)																	
<b>Eurocraft Industries Inc.</b> 7905 N.W. 77th Ave. Medley, FL. 33166 Phone: (305) 713-1871 Fax: (305) 713-1872																	
date: 09-10-25	scale: 3/8" = 1"																
dr. by: TARIQ	chk. by:																
drawing no. <b>25-80F</b>																	
sheet 18 of 18																	
revisions: no date by description	<table border="1"> <tr><td> </td><td> </td><td> </td><td> </td></tr> <tr><td> </td><td> </td><td> </td><td> </td></tr> <tr><td> </td><td> </td><td> </td><td> </td></tr> <tr><td> </td><td> </td><td> </td><td> </td></tr> </table>																