

EUROCRAFT INDUSTRIES INC.

500 SERIES STOREFRONT (HVHZ)(IMPACT)



7905 NW 77TH AVE
MEDLEY, FL 33166
PH: (305) 713-1871 FX: (305) 713-1872

GENERAL NOTES:

- THE PRODUCT SHOWN HEREIN IS DESIGNED AND MANUFACTURED TO COMPLY WITH THE CURRENT EDITION FLORIDA BUILDING CODE (FBC), INCLUDING HVHZ AND HAS BEEN EVALUATED ACCORDING TO THE FOLLOWING:
 - TAS 201-94
 - TAS 202-94
 - TAS 203-94
 - ASTM E331-00 (09)
 - ASTM E283-04
- ADEQUACY OF THE EXISTING STRUCTURAL CONCRETE/MASONRY, 2X FRAMING, AND METAL FRAMING AS A MAIN WIND FORCE RESISTING SYSTEM CAPABLE OF WITHSTANDING AND TRANSFERRING APPLIED PRODUCT LOADS TO THE FOUNDATION IS THE RESPONSIBILITY OF THE ENGINEER OR ARCHITECT OF RECORD FOR THE PROJECT OF INSTALLATION.
- 1X AND 2X BUCKS (WHEN USED) SHALL BE DESIGNED AND ANCHORED TO PROPERLY TRANSFER ALL LOADS TO THE STRUCTURE. BUCK DESIGN AND INSTALLATION IS THE RESPONSIBILITY OF THE ENGINEER OR ARCHITECT OF RECORD FOR THE PROJECT OF INSTALLATION.
- INSTALL INDIVIDUAL INSTALLATION ANCHORS WITHIN A TOLERANCE OF $\pm 1/4$ INCH OF THE DEPICTED LOCATION IN THE ANCHOR LAYOUT DETAIL (I.E., WITHOUT CONSIDERATION OF TOLERANCES). TOLERANCES ARE NOT CUMULATIVE FROM ONE INSTALLATION ANCHOR TO THE NEXT.
- THE INSTALLATION DETAILS DESCRIBED HEREIN ARE GENERIC AND MAY NOT REFLECT ACTUAL CONDITIONS FOR A SPECIFIC SITE. IF SITE CONDITIONS CAUSE INSTALLATION TO DEVIATE FROM THE REQUIREMENTS DETAILED HEREIN, A LICENSED ENGINEER OR ARCHITECT SHALL PREPARE SITE SPECIFIC DOCUMENTS FOR USE WITH THIS DOCUMENT IN NON-HVHZ AREAS. IN HVHZ AREAS, ONE TIME PRODUCT APPROVAL TO BE OBTAINED FROM MIAMI-DADE RER OR AHJ.
- APPROVED IMPACT PROTECTIVE SYSTEM **IS NOT REQUIRED** ON THIS PRODUCT IN AREAS REQUIRING IMPACT RESISTANCE.
- STOREFRONT FRAME MATERIAL: ALUMINUM 6063-T6
- GLASS MEETS THE REQUIREMENTS OF ASTM E 1300 GLASS CHARTS. SEE SHEET 3 FOR GLAZING DETAILS.

TABLE OF CONTENTS		
SHEET	REVISION	SHEET DESCRIPTION
1	-	GENERAL NOTES
2	-	ELEVATION
3	-	GLAZING DETAILS
4	-	GLASS LOAD CAPACITY
5	-	VERTICAL SECTIONS
6	-	HORIZONTAL SECTIONS
7	-	HORIZONTAL SECTIONS
8	-	MULLION AND JAMB LOAD CAPACITY
9	-	ANCHOR LAYOUT AND CONFIGURATIONS
10	-	ANCHOR LOAD CAPACITY
11	-	INSTALLATION NOTES AND ANCHOR SPECIFICATIONS
12	-	BILL OF MATERIALS & COMPONENTS

DESIGN PRESSURE TABLE		
GLAZING TYPES	MAX. DESING PRESSURE	IMPACT RATING
G1, G2, G3 & G4	SEE SHEET 4 FOR DESIGN PRESSURE TABLES	LMI / SMI

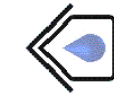
INSTRUCTIONS FOR USE:

- DETERMINE DESIGN WIND LOAD REQUIREMENTS BASED ON WIND VELOCITY, BUILDING HEIGHT, WIND ZONE, USING APPLICABLE ASCE 7 STANDARD.
- SEE CHARTS ON SHEET 4 FOR DESIGN LOAD CAPACITY OF DESIRED GLASS SIZE AND CONFIGURATION.
- CHECK MULLION CAPACITY FOR A GIVEN WIDTH AND HEIGHT USING CHARTS ON SHEET 8 FOR VERTICAL MULLIONS, THE CAPACITY SHOULD EXCEED THE DESIGN LOAD.
- USING CHART ON SHEET 9 & 10 SELECT ANCHOR OPTION WITH DESIGN RATING MORE THAN DESIGN LOAD SPECIFIED IN STEP 1 ABOVE.
- THE LOWEST VALUE RESULTING FROM STEP 2, 3 AND 4 SHALL APPLY TO ENTIRE SYSTEM.

TITLE: 500 SERIES STOREFRONT (HVHZ)(IMPACT)

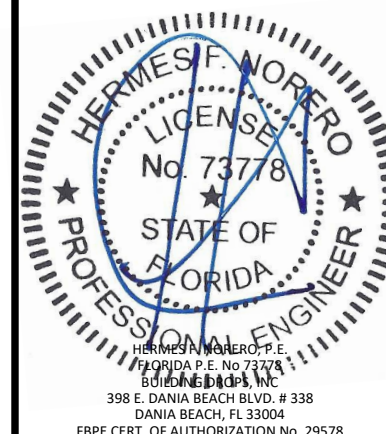
GENERAL NOTES

PREPARED BY:
BUILDING DROPS, INC.
398 E. DANIA BEACH BLVD., STE. 338
DANIA BEACH, FL 33004
PH: (954) 399-8478
FAX: (954) 744-4738
WEB: www.buildingdrops.com



REMARKS	BY	DATE
A-CODE CHANGE 2020	YC	09/20

THE INSTALLATION DETAILS DESCRIBED HEREIN ARE GENERIC AND MAY NOT REFLECT ACTUAL CONDITIONS FOR A SPECIFIC SITE. IF SITE CONDITIONS CAUSE INSTALLATION TO DEVIATE FROM THE REQUIREMENTS DETAILED HEREIN, A LICENSED ENGINEER OR ARCHITECT SHALL PREPARE SITE SPECIFIC DOCUMENTS FOR USE WITH THIS DOCUMENT.



FL#: **FL30945**

DATE: **09.29.2020**

DWG. BY: **YC** CHK. BY: **HFN**

SCALE: **NTS**

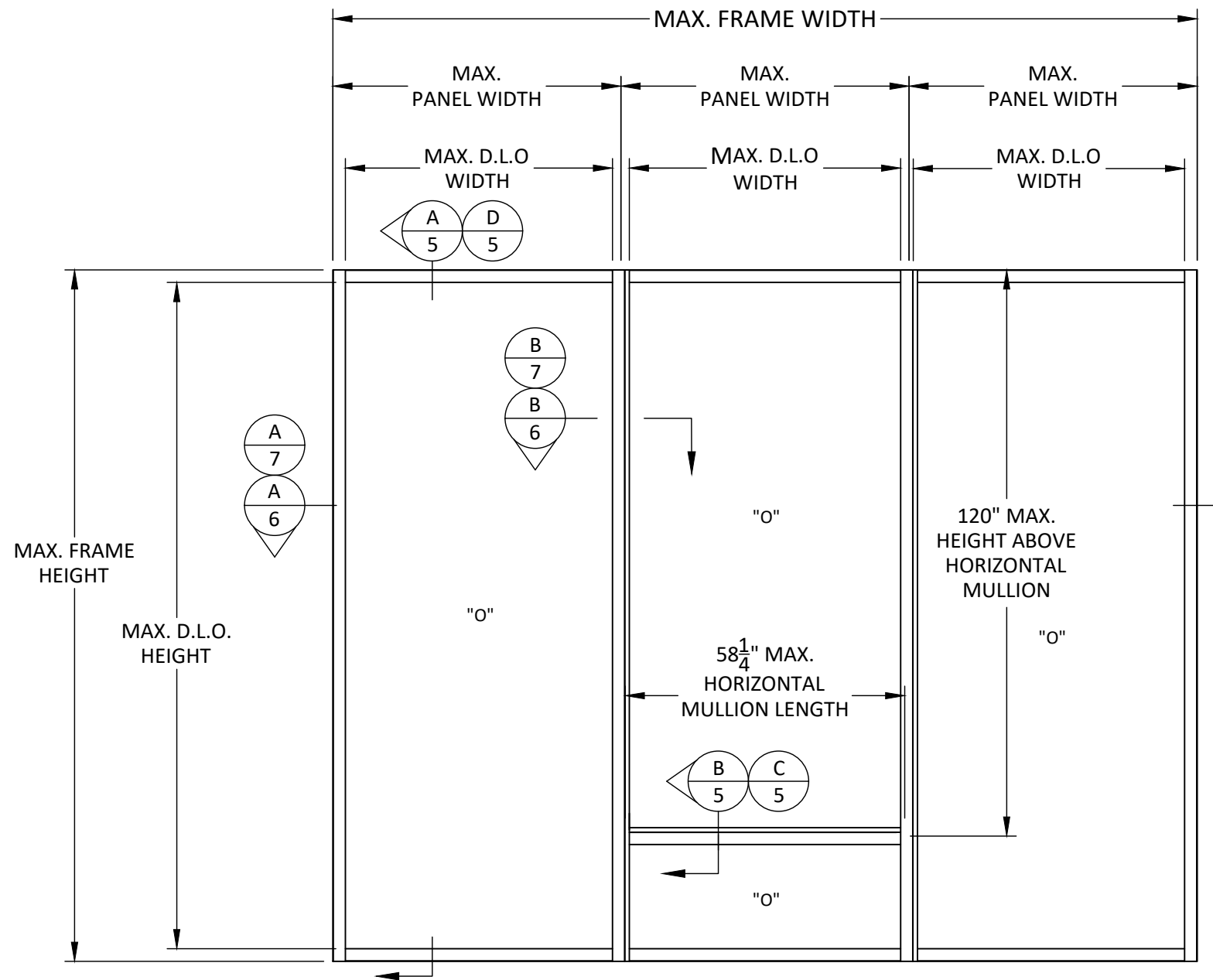
DWG. #: **ECI023**

SHEET:

1

OF 12

s:\projects\eurocraft_industries_inc\cc-20-0916-fbc code change (ver. 7)\revisions\new revisions\130945\dwgs\ec023 - storefront.dwg 12/16/2020 4:38 PM



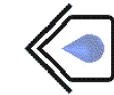
ELEVATION



7905 NW 77TH AVE
MEDLEY, FL 33166
PH: (305) 713-1871 FX: (305) 713-1872

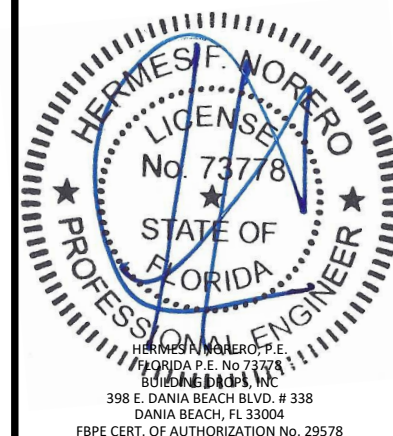
TITLE: 500 SERIES STOREFRONT (HVHZ)(IMPACT)

ELEVATION

PREPARED BY:  **BUILDING DROPS, INC.**
398 E. DANIA BEACH BLVD., STE. 338
DANIA BEACH, FL 33004
PH: (954) 359-8478
FAX: (954) 744-4738
WEB: www.buildingdrops.com

REMARKS	BY	DATE
A-CODE CHANGE 2020	YC	09/20

THE INSTALLATION DETAILS DESCRIBED HEREIN ARE GENERIC AND MAY NOT REFLECT ACTUAL CONDITIONS FOR A SPECIFIC SITE. IF SITE CONDITIONS CAUSE INSTALLATION TO DEVIATE FROM THE REQUIREMENTS DETAILED HEREIN, A LICENSED ENGINEER OR ARCHITECT SHALL PREPARE SITE SPECIFIC DOCUMENTS FOR USE WITH THIS DOCUMENT.



FL#: **FL30945**

DATE: **09.29.2020**

DWG. BY: **YC** | CHK. BY: **HFN**

SCALE: **NTS**

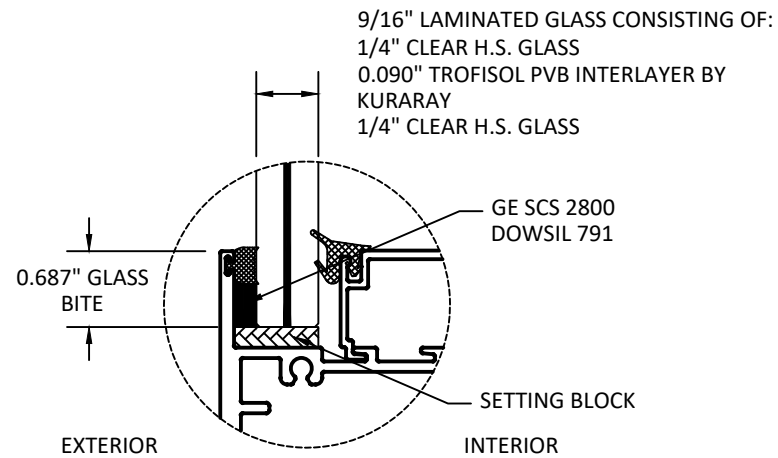
DWG. #: **ECI023**

SHEET:

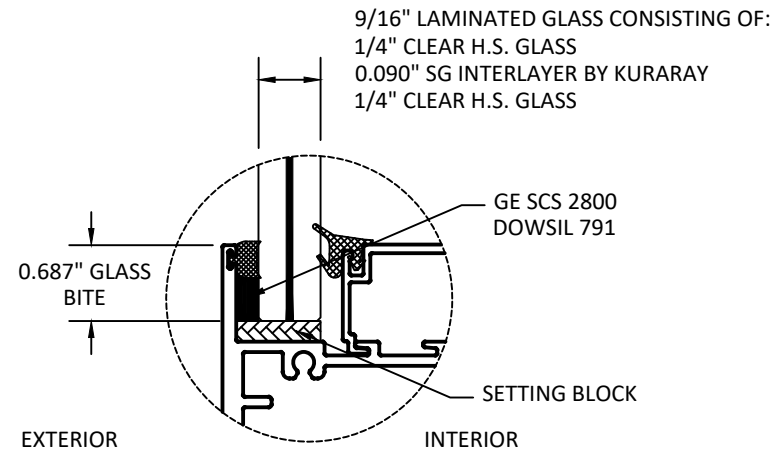
2

OF 12

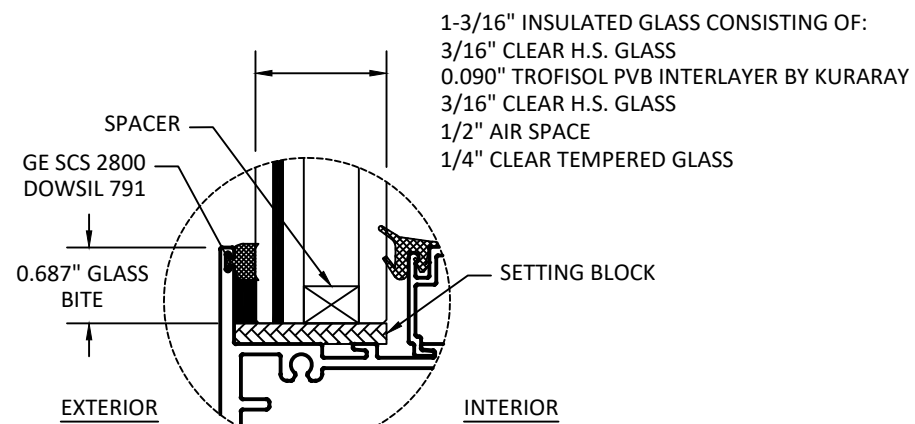
s:\projects\eurocraft_industries_inc\cc-20-0916-fbc code change (ver. 7)\revisions\new revisions\130945\dwgs\ec023 - storefront.dwg 12/16/2020 4:38 PM



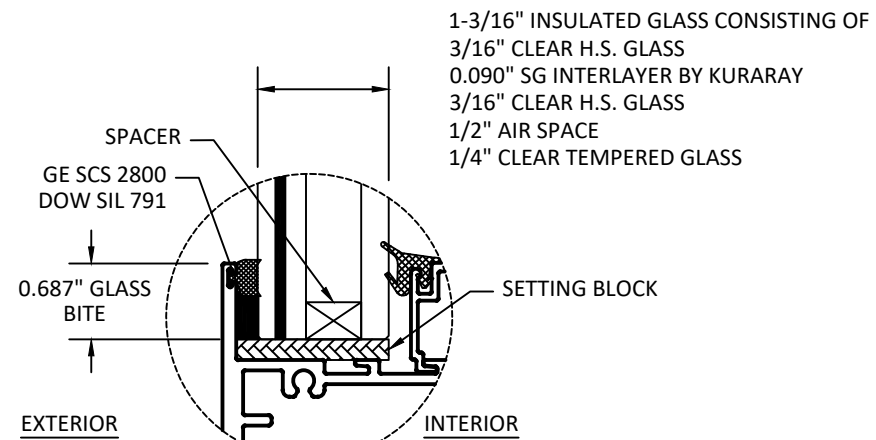
GLAZING DETAIL G1



GLAZING DETAIL G2



GLAZING DETAIL G3



GLAZING DETAIL G4

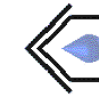
- GLAZING NOTES:**
- GLASS TYPE AND THICKNESS SHALL COMPLY WITH ASTM E1300 REQUIREMENTS AS WELL AS APPLICABLE SAFETY GLAZING REQUIREMENTS PER THE FBC. THICKNESS, TEMPER, AND SAFETY GLAZING REQUIREMENTS SHALL BE REVIEWED ON A SITE SPECIFIC BASIS.
 - SETTING BLOCK DUROMETER HARDNESS OF 70-90 (SHORE A) AS REFERENCED IN FBC CHAPTER 24.
 - SETTING BLOCKS TO BE LOCATED AT 1/4 SPAN LENGTH FOR GLASS WIDER THAN 36" AS PER FBC CHAPTER 24.
 - D.L.O. AND DESIGN PRESSURES MAY NOT EXCEED MAX VALUES IN GLASS CHARTS.



7905 NW 77TH AVE
 MEDLEY, FL 33166
 PH: (305) 713-1871 FX: (305) 713-1872

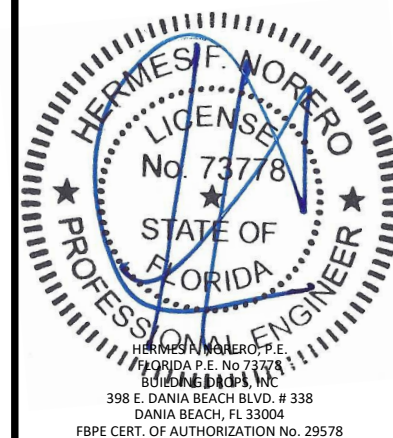
TITLE: 500 SERIES STOREFRONT (HVHZ)(IMPACT)

GLAZING DETAIL

PREPARED BY:  BUILDING DROPS, INC.
 398 E. DANIA BEACH BLVD., STE. 338
 DANIA BEACH, FL 33004
 PH: (954) 359-8478
 FAX: (954) 744-4738
 WEB: www.buildingdrops.com

REMARKS	BY	DATE
A-CODE CHANGE 2020	YC	09/20

THE INSTALLATION DETAILS DESCRIBED HEREIN ARE GENERIC AND MAY NOT REFLECT ACTUAL CONDITIONS FOR A SPECIFIC SITE. IF SITE CONDITIONS CAUSE INSTALLATION TO DEVIATE FROM THE REQUIREMENTS DETAILED HEREIN, A LICENSED ENGINEER OR ARCHITECT SHALL PREPARE SITE SPECIFIC DOCUMENTS FOR USE WITH THIS DOCUMENT.



FL#: **FL30945**

DATE: **09.29.2020**

DWG. BY: **YC** | CHK. BY: **HFN**

SCALE: **NTS**

DWG. #: **EC1023**

SHEET:

3

OF 12

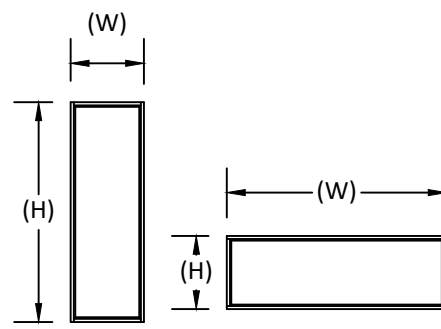
12/16/2020 4:38 PM
s:\projects\eurocraft industries inc\cc-20-0916-ibc code change (ver. 7)\revisions\new revisions\130945\dwg\ec023 - storefront.dwg

GLASS LOAD CAPACITY (+/- PSF)					
DIMENSIONS		GLASS CONFIGURATIONS			
WIDTH (IN)	HEIGHT (IN)	G1	G2	G3	G4
24	60	100	160	100	160
30		100	160	100	160
36		100	160	100	160
42		100	160	100	160
48		100	160	100	160
54		89	142	89	142
60		80	128	80	128
66		73	117	73	117
72		69	110	69	110
78		61	78	61	78
84		58	75	58	75
90		56	72	56	72
96		55	71	55	71
102		53	71	53	71
108	52	69	52	69	
114	51	68	51	68	
120	50	67	50	67	
24	66	100	160	100	160
30		100	160	100	160
36		100	160	100	160
42		100	160	100	160
48		100	160	100	160
54		89	142	89	142
60		80	128	80	128
66		73	116	73	116
72		63	81	63	81
78		59	76	59	76
84		56	72	56	72
90		54	72	54	72
96		52	69	52	69
102		50	67	50	67
108	49	65	49	65	
114	48	64	48	64	
120	47	63	47	63	
24	72	100	160	100	160
30		100	160	100	160
36		100	160	100	160
42		100	160	100	160
48		100	160	100	160
54		89	142	89	142
60		80	128	80	128
66		68	87	68	87
72		63	80	63	80
78		58	74	58	74
84		55	73	55	73
90		52	69	52	69
96		50	67	50	67
102		48	64	48	64
108	47	63	47	63	
114	46	61	46	61	
120	45	60	45	60	

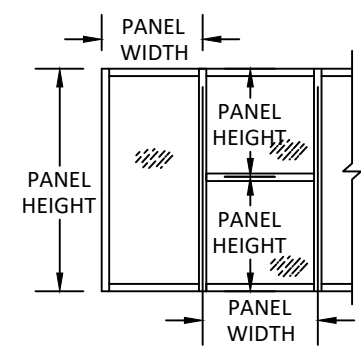
GLASS LOAD CAPACITY (+/- PSF)					
DIMENSIONS		GLASS CONFIGURATIONS			
WIDTH (IN)	HEIGHT (IN)	G1	G2	G3	G4
24	78	100	160	100	160
30		100	160	100	160
36		100	160	100	160
42		100	160	100	160
48		100	160	100	160
54		89	142	89	142
60		75	96	75	96
66		68	87	68	87
72		63	80	63	80
78		58	77	58	77
84		54	72	54	72
90		51	68	51	68
96		49	65	49	65
102		47	62	47	62
108	45	60	45	60	
24	84	100	160	100	160
30		100	160	100	160
36		100	160	100	160
42		100	160	100	160
48		100	160	100	160
54		89	142	89	142
60		75	96	75	96
66		68	87	68	87
72		63	83	63	83
78		58	77	58	77
84		54	71	54	71
90		50	67	50	67
96		48	63	48	63
102		46	61	46	61
24	90	100	160	100	160
30		100	160	100	160
36		100	160	100	160
42		100	160	100	160
48		100	160	100	160
54		83	107	83	107
60		75	96	75	96
66		68	91	68	91
72		63	83	63	83
78		58	77	58	77
84		54	71	54	71
90		50	67	50	67
96		47	63	47	63
24		96	100	160	100
30	100		160	100	160
36	100		160	100	160
42	100		160	100	160
48	100		160	100	160
54	83		107	83	107
60	75		96	75	96
66	68		84	68	91
72	63		84	63	83
78	58		84	58	77
84	54		84	54	71
90	50		67	50	67

GLASS LOAD CAPACITY (+/- PSF)						
DIMENSIONS		GLASS CONFIGURATIONS				
WIDTH (IN)	HEIGHT (IN)	G1	G2	G3	G4	
24	102	100	160	100	160	
30		100	160	100	160	
36		100	155	100	155	
42		100	137	100	137	
48		94	120	94	120	
54		83	107	83	107	
60		75	100	75	100	
66		68	91	68	91	
72		63	83	63	83	
78		58	77	58	77	
84		54	71	54	71	
24		108	100	160	100	160
30			100	160	100	160
36			100	154	100	154
42	100		136	100	136	
48	94		120	94	120	
54	83		111	83	111	
60	75		100	75	100	
66	68		91	68	91	
72	63		83	63	83	
78	58		77	58	77	
84	54		71	54	71	
24	114		100	160	100	160
30			100	160	100	160
36			100	152	100	152
42		100	134	100	134	
48		94	120	94	120	
54		83	111	83	111	
60		75	100	75	100	
66		68	91	68	91	
72		63	83	63	83	
78		58	77	58	77	
84		54	71	54	71	
24		120	100	160	100	160
30			100	160	100	160
36			100	151	100	151
42	100		133	100	133	
48	93		120	93	120	
54	83		111	83	111	
60	75		100	75	100	
66	68		91	68	91	
72	63		83	63	83	
78	58		77	58	77	
84	54		71	54	71	
24	126		100	160	100	160
30			100	160	100	160
36			100	150	100	150
42		100	129	100	129	
48		92	120	92	120	
54		83	111	83	111	
60		75	100	75	100	
66		68	91	68	91	
72		63	83	63	83	
78		58	77	58	77	
84		54	71	54	71	
24		132	100	160	100	160
30			100	160	100	160
36			100	150	100	150
42	100		129	100	129	
48	91		120	91	120	
54	83		111	83	111	
60	75		100	75	100	
66	68		91	68	91	
72	63		83	63	83	
78	58		77	58	77	
84	54		71	54	71	
24	138		100	160	100	160
30			100	160	100	160
36			100	150	100	150
42		100	129	100	129	
48		90	120	90	120	
54		82	109	82	109	
60		75	100	75	100	
66		68	91	68	91	
72		63	83	63	83	
78		58	77	58	77	
84		54	71	54	71	
24		144	100	160	100	160
30			100	160	100	160
36			100	150	100	150
42	100		129	100	129	
48	99		120	99	120	
54	89		119	89	119	
60	81		108	81	108	
66	75		100	75	100	

NOTE: THE WINDOW DIMENSIONS SHOWN IN THE GLASS LOAD CAPACITY TABLE REPRESENT THE PANEL DIMENSIONS (D.L.O + FRAME WIDTH)



NOTE:
WINDOW WIDTH (W) AND HEIGHT (H) ARE INTERCHANGEABLE FOR ALL SIZES SHOWN HEREIN NOT TO EXCEED MAXIMUM TESTED SQUARE FOOT AREA. ANCHOR SPACING SHALL NOT EXCEED THOSE SHOWN FOR LONG OR SHORT LEG OF UNIT.



905 NW 77TH AVE
MEDLEY, FL 33166
PH: (305) 713-1871 FX: (305) 713-1872

TITLE: 500 SERIES STOREFRONT (HVHZ)(IMPACT)
GLASS LOAD CAPACITY

PREPARED BY: BUILDING DROPS, INC.
398 E. DANIA BEACH BLVD., STE. 338
DANIA BEACH, FL 33004
PH: (954) 399-8478
FAX: (954) 744-4738
WEB: www.buildingdrops.com

REMARKS	BY	DATE
A-CODE CHANGE 2020	YC	09/20

THE INSTALLATION DETAILS DESCRIBED HEREIN ARE GENERIC AND MAY NOT REFLECT ACTUAL CONDITIONS FOR A SPECIFIC SITE. IF SITE CONDITIONS CAUSE INSTALLATION TO DEVIATE FROM THE REQUIREMENTS DETAILED HEREIN, A LICENSED ENGINEER OR ARCHITECT SHALL PREPARE SITE SPECIFIC DOCUMENTS FOR USE WITH THIS DOCUMENT.

HERMES F. NORERO, P.E.
FLORIDA P.E. No. 73778
BUILDING DROPS, INC.
398 E. DANIA BEACH BLVD. # 338
DANIA BEACH, FL 33004
FBPE CERT. OF AUTHORIZATION No. 29578

FL#: **FL30945**

DATE: **09.29.2020**

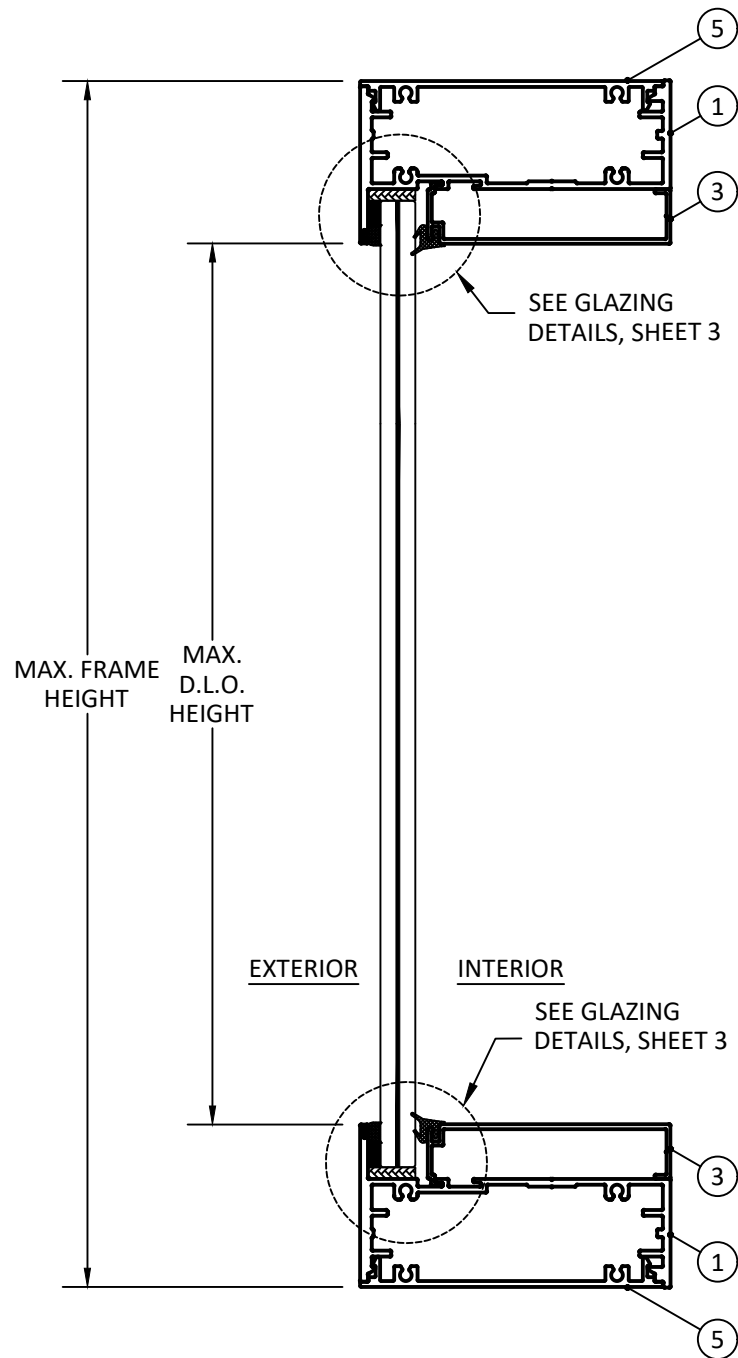
DWG. BY: **YC** | CHK. BY: **HFN**

SCALE: **NTS**

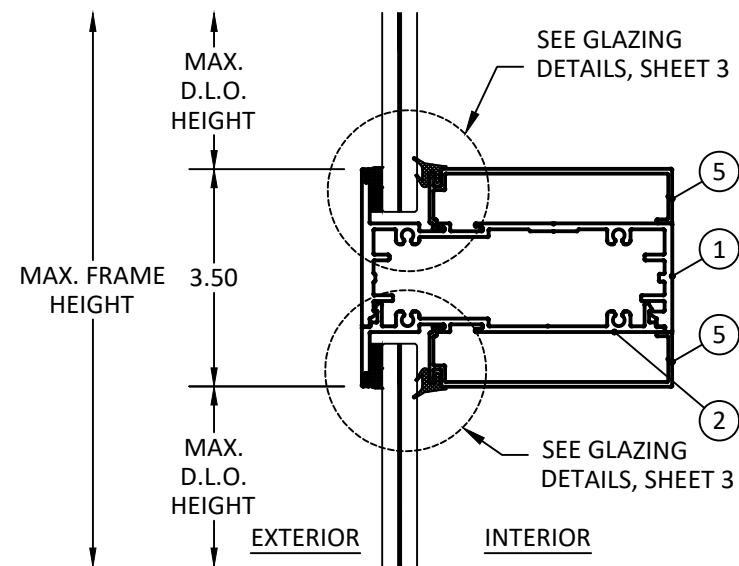
DWG. #: **ECI023**

SHEET: **4** OF 12

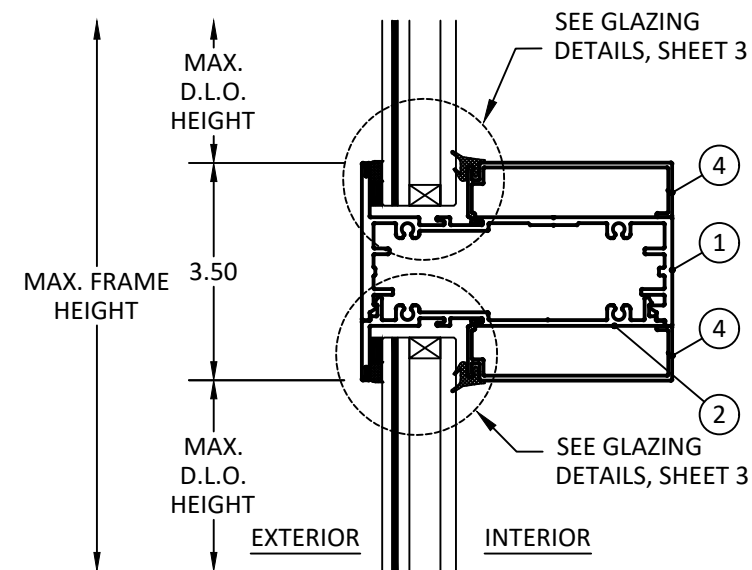
12/16/2020 4:38 PM
s:\projects\eurocraft industries inc\cc-20-0916-fbc code change (ver. 7)\revisions\new revisions\130945\dwg\ec023 - storefront.dwg



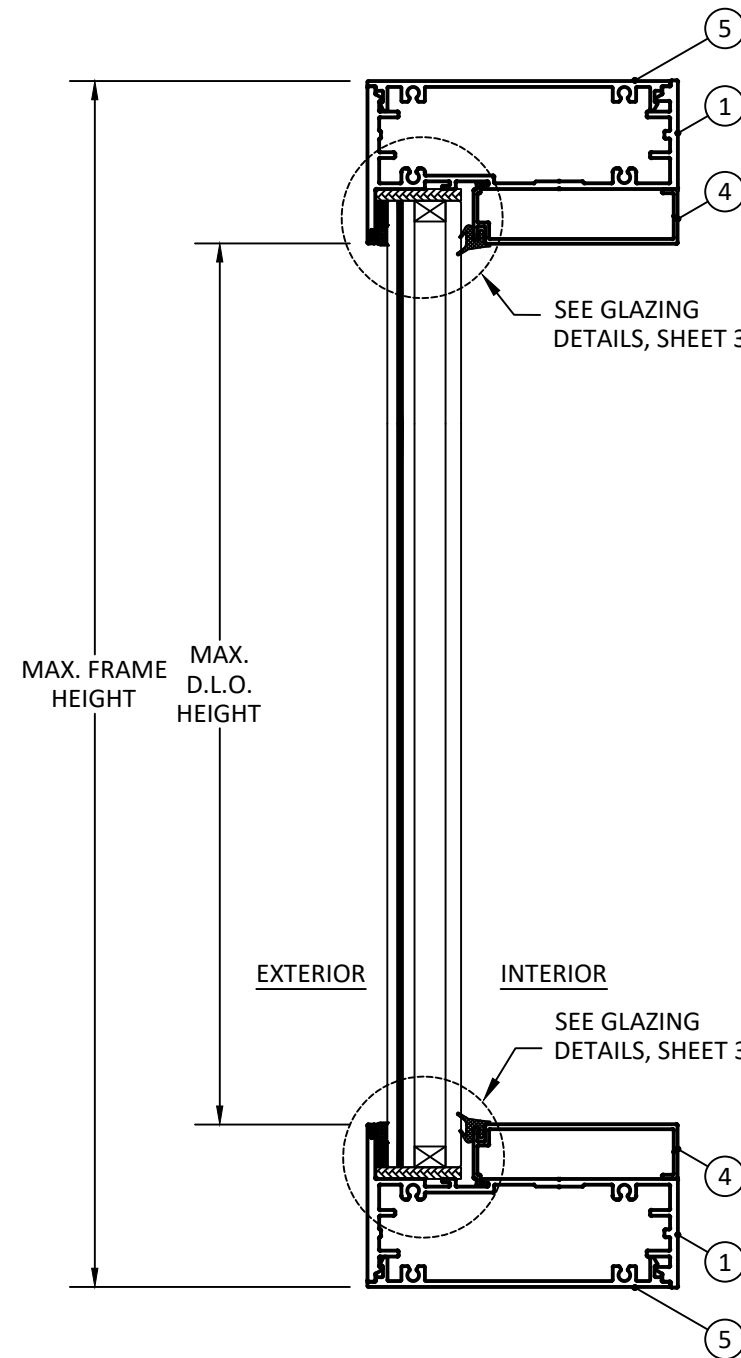
A
5 VERTICAL SECTION
LAMINATED - STOREFRONT



B
5 VERTICAL SECTION
LAMINATED - STOREFRONT - HORIZONTAL MULLION



C
5 VERTICAL SECTION
IG - STOREFRONT - HORIZONTAL MULLION



D
5 VERTICAL SECTION
IG - STOREFRONT - SILL

TITLE: 500 SERIES STOREFRONT (HVHZ)(IMPACT)
VERTICAL SECTIONS

PREPARED BY: BUILDING DROPS, INC.
398 E. DANIA BEACH BLVD., STE. 338
DANIA BEACH, FL 33004
PH: (954) 399-8478
FAX: (954) 744-4738
WEB: www.buildingdrops.com

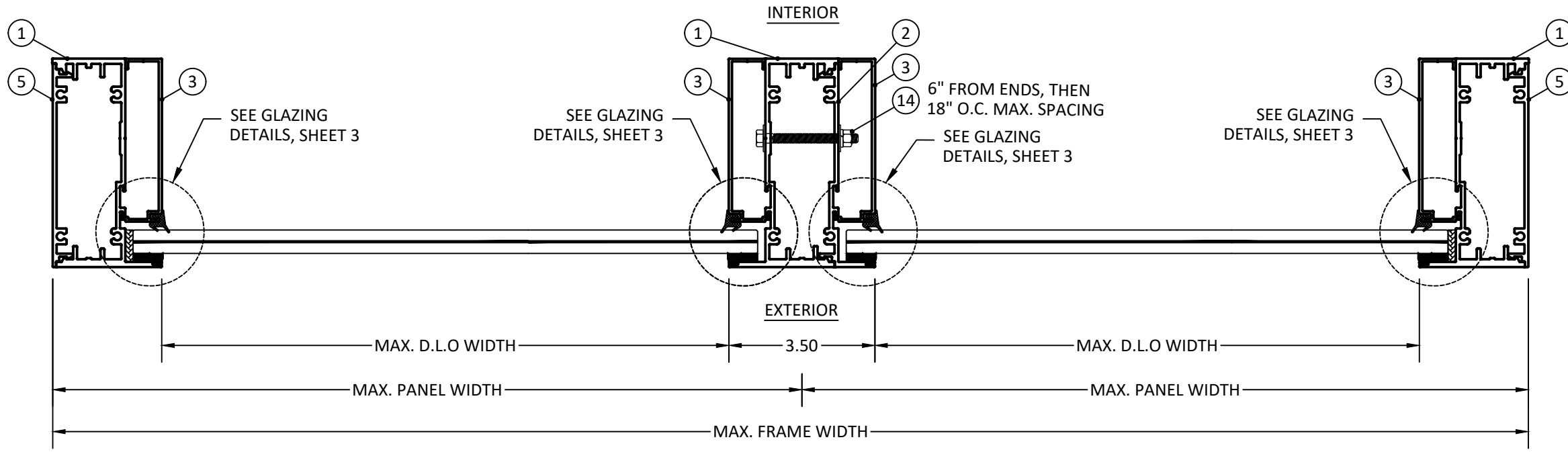
REMARKS	BY	DATE
A-CODE CHANGE 2020	YC	09/20

THE INSTALLATION DETAILS DESCRIBED HEREIN ARE GENERIC AND MAY NOT REFLECT ACTUAL CONDITIONS FOR A SPECIFIC SITE. IF SITE CONDITIONS CAUSE INSTALLATION TO DEVIATE FROM THE REQUIREMENTS DETAILED HEREIN, A LICENSED ENGINEER OR ARCHITECT SHALL PREPARE SITE SPECIFIC DOCUMENTS FOR USE WITH THIS DOCUMENT.

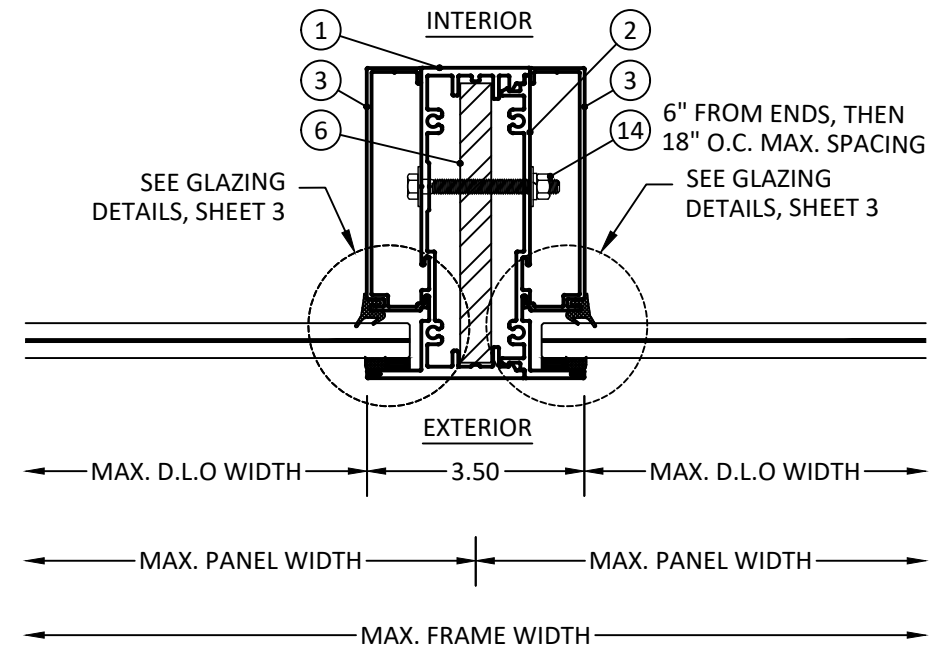


FL#: **FL30945**
DATE: **09.29.2020**
DWG. BY: **YC** | CHK. BY: **HFN**
SCALE: **NTS**
DWG. #: **EC1023**
SHEET:

12/16/2020 4:38 PM
 s:\projects\eurocraft_industries inc\cc-20-0916-fbc code change (ver. 7)\revisions\new revisions\130945\dwgs\ec023 - storefront.dwg



A
6 **HORIZONTAL SECTION**
LAMINATED - STOREFRONT - VERTICAL MULLION



B
6 **HORIZONTAL SECTION**
LAMINATED - STOREFRONT - VERTICAL MULLION
REINFORCED



7905 NW 77TH AVE
MEDLEY, FL 33166
PH: (305) 713-1871 FX: (305) 713-1872

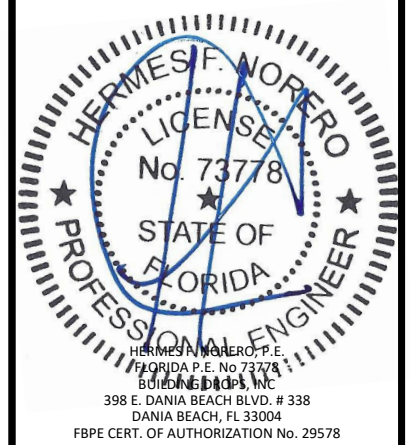
TITLE: 500 SERIES STOREFRONT (HVHZ)(IMPACT)

HORIZONTAL SECTIONS

PREPARED BY: BUILDING DROPS, INC.
398 E. DANIA BEACH BLVD., STE. 338
DANIA BEACH, FL 33004
PH: (954) 399-8478
FAX: (954) 744-4738
WEB: www.buildingdrops.com

REMARKS	BY	DATE
A-CODE CHANGE 2020	YC	09/20

THE INSTALLATION DETAILS DESCRIBED HEREIN ARE GENERIC AND MAY NOT REFLECT ACTUAL CONDITIONS FOR A SPECIFIC SITE. IF SITE CONDITIONS CAUSE INSTALLATION TO DEVIATE FROM THE REQUIREMENTS DETAILED HEREIN, A LICENSED ENGINEER OR ARCHITECT SHALL PREPARE SITE SPECIFIC DOCUMENTS FOR USE WITH THIS DOCUMENT.



FL#: **FL30945**

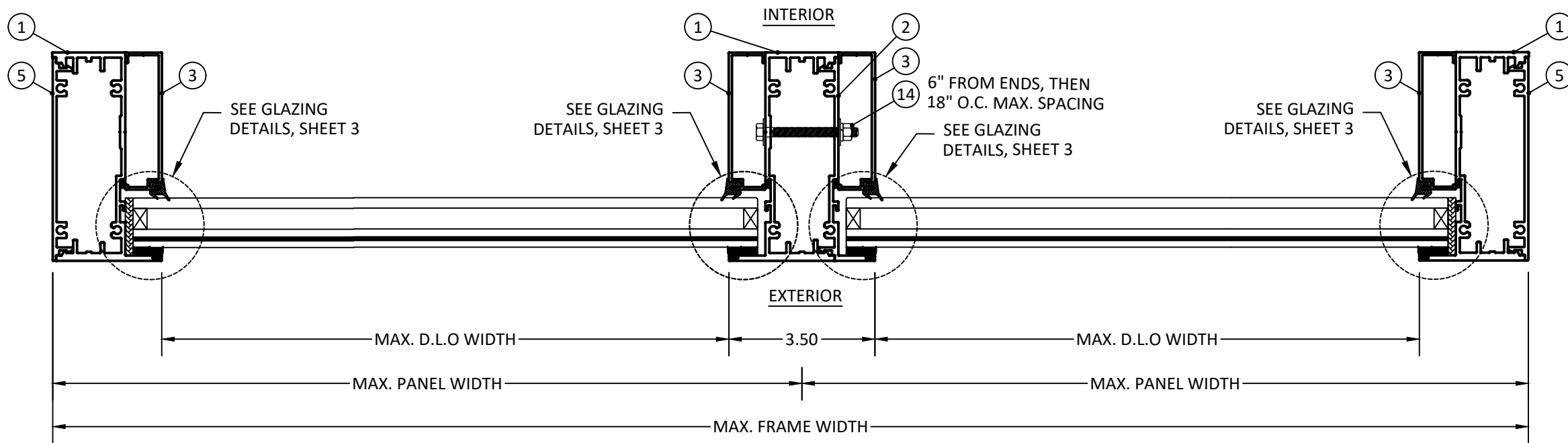
DATE: **09.29.2020**

DWG. BY: YC	CHK. BY: HFN
-----------------------	------------------------

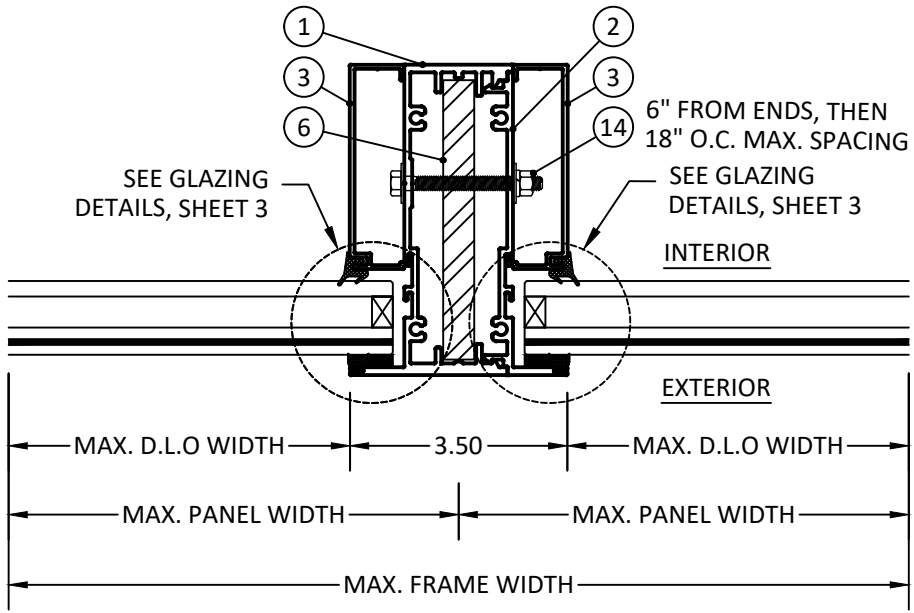
SCALE: **NTS**

DWG. #: **ECI023**

12/16/2020 4:38 PM
 s:\projects\eurocraft_industries inc\cc-20-0916-fbc code change (ver. 7)\revisions\new revisions\130945\dwg\ec023 - storefront.dwg



A
7
HORIZONTAL SECTION
 IG - STOREFRONT - VERTICAL MULLION



B
7
HORIZONTAL SECTION
 IG - STOREFRONT - VERTICAL MULLION
 REINFORCED

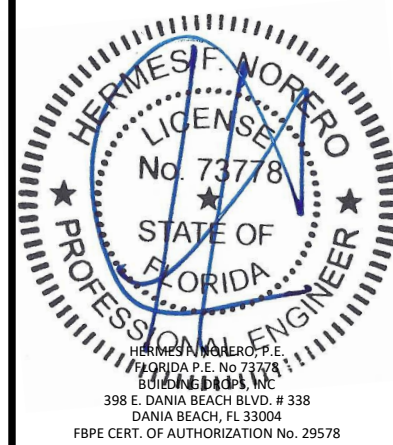


7905 NW 77TH AVE
 MEDLEY, FL 33166
 PH: (305) 713-1871 FX: (305) 713-1872

TITLE: 500 SERIES STOREFRONT (HVHZ)(IMPACT)
 HORIZONTAL DETAILS
 PREPARED BY: BUILDING DROPS, INC.
 398 E. DANIA BEACH BLVD., STE. 338
 DANIA BEACH, FL 33004
 PH: (954) 399-8478
 FAX: (954) 744-4738
 WEB: www.buildingdrops.com

REMARKS	BY	DATE
A-CODE CHANGE 2020	YC	09/20

THE INSTALLATION DETAILS DESCRIBED HEREIN ARE GENERIC AND MAY NOT REFLECT ACTUAL CONDITIONS FOR A SPECIFIC SITE. IF SITE CONDITIONS CAUSE INSTALLATION TO DEVIATE FROM THE REQUIREMENTS DETAILED HEREIN, A LICENSED ENGINEER OR ARCHITECT SHALL PREPARE SITE SPECIFIC DOCUMENTS FOR USE WITH THIS DOCUMENT.



FL#: **FL30945**
 DATE: **09.29.2020**
 DWG. BY: YC
 CHK. BY: HFN
 SCALE: NTS
 DWG. #: **ECI023**

SHEET:
7
 OF 12

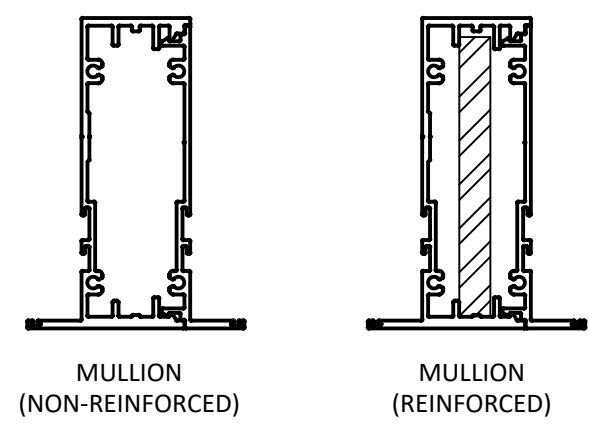
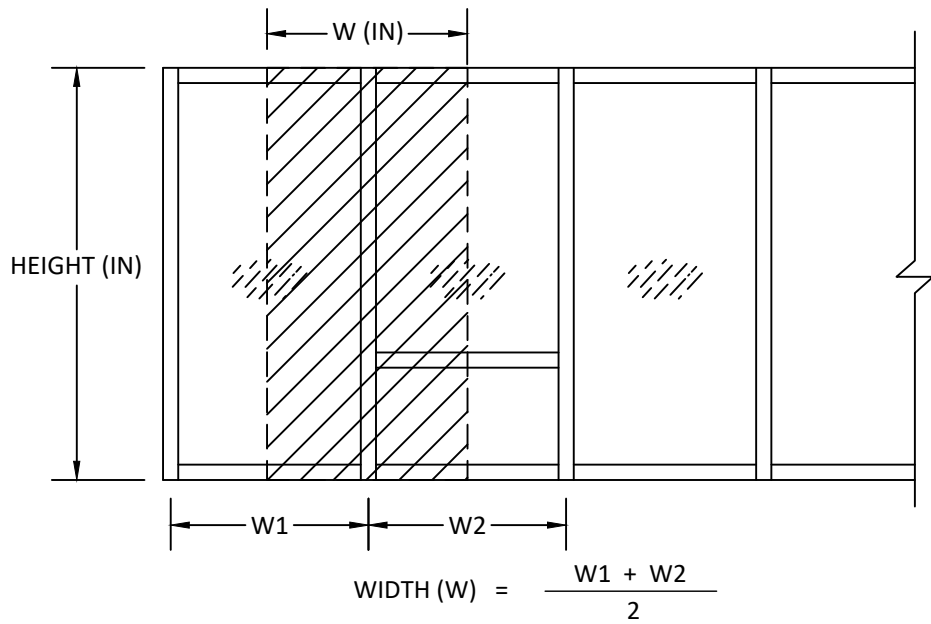
12/16/2020 4:38 PM
s:\projects\eurocraft_industries\inc\cc-20-0916-fbc code change (ver. 7)\revisions\new revisions\30945\dwg\eci023 - storefront.dwg

MULLION LOAD CAPACITY (+/- PSF)			
WIDTH (IN)	HEIGHT (IN)	REINFORCED	NON-REINFORCED
24	60	160	100
30		160	100
36		160	100
42		160	100
48		160	100
54		160	100
60		160	100
66		160	100
72		160	100
78		148	92
84		137	86
90		128	80
96		120	75
102		116	-
108	113	-	
114	111	-	
120	108	-	
24	66	160	100
30		160	100
36		160	100
42		160	100
48		160	100
54		160	100
60		160	100
66		159	99
72		145	91
78		134	84
84		125	78
90		118	-
96		115	-
102		111	-
108	108	-	
114	106	-	
120	104	-	
24	72	160	100
30		160	100
36		160	100
42		160	100
48		160	100
54		160	100
60		160	100
66		145	91
72		133	83
78		120	77
84		117	-
90		113	-
96		110	-
102		107	-
108	104	-	
114	102	-	
120	100	-	
24	84	160	100
30		160	100
36		160	100
42		160	100
48		160	100
54		152	95
60		137	86
66		125	78
72		117	-
78		113	-
84		109	-
90		106	-
96		103	-
102		100	-

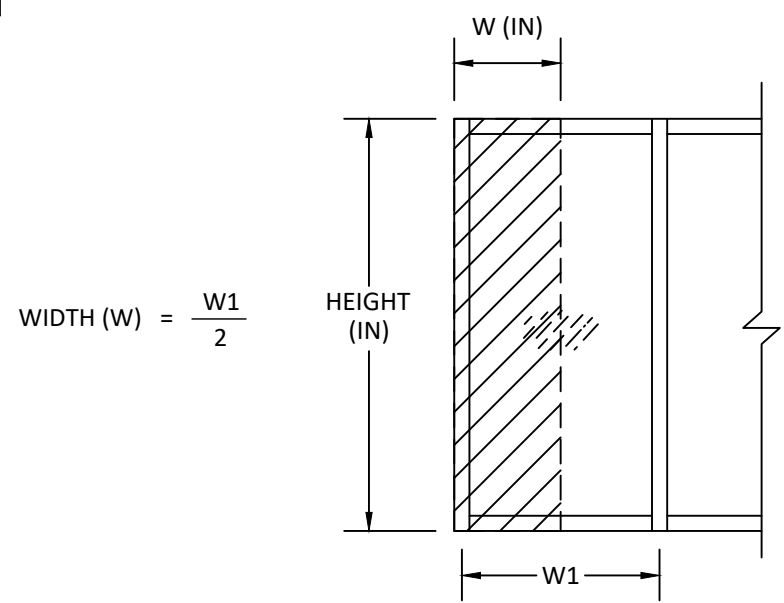
MULLION LOAD CAPACITY (+/- PSF)				
WIDTH (IN)	HEIGHT (IN)	REINFORCED	NON-REINFORCED	
24	96	160	100	
30		160	100	
36		160	100	
42		160	100	
48		150	94	
54		133	83	
60		120	75	
66		115	-	
72		110	-	
78		106	-	
84		103	-	
90		100	-	
24		108	160	100
30			160	100
36	160		100	
42	152		95	
48	133		83	
54	119		-	
60	113		-	
66	108		-	
72	104		-	
24	120		160	100
30			160	100
36			160	100
42			137	86
48			120	75
54		113	-	
60		108	-	
66		104	-	
72		100	-	
24		132	120	-
30			120	-
36			120	-
42			120	-
48			115	-
54	108		-	
60	104		-	
66	104		-	
72	100		-	
24	144		120	-
30			120	-
36			120	-
42			120	-
48			117	-
54		110	-	
60		104	-	
66		104	-	
72		104	-	
78		104	-	
84		104	-	
90		104	-	
96		104	-	
102		104	-	

JAMB LOAD CAPACITY WITHOUT THROUGH FRAME ANCHORS		
HEIGHT (IN)	WIDTH (IN)	DESIGN PRESSURE (PSF)
144	25	65
120	24	118
96	24	160

MULLION LOAD CAPACITY



JAMB LOAD CAPACITY



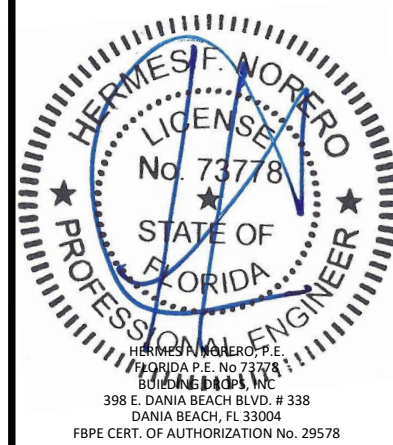
7905 NW 77TH AVE
MEDLEY, FL 33166
PH: (305) 713-1871 FX: (305) 713-1872

TITLE: 500 SERIES STOREFRONT (HVHZ)(IMPACT)
MULLION AND JAMB LOAD CAPACITY

PREPARED BY: BUILDING DROPS, INC.
398 E. DANIA BEACH BLVD., STE. 338
DANIA BEACH, FL 33004
PH: (954) 399-8478
FAX: (954) 744-4738
WEB: www.buildingdrops.com

REMARKS	BY	DATE
A-CODE CHANGE 2020	YC	09/20

THE INSTALLATION DETAILS DESCRIBED HEREIN ARE GENERIC AND MAY NOT REFLECT ACTUAL CONDITIONS FOR A SPECIFIC SITE. IF SITE CONDITIONS CAUSE INSTALLATION TO DEVIATE FROM THE REQUIREMENTS DETAILED HEREIN, A LICENSED ENGINEER OR ARCHITECT SHALL PREPARE SITE SPECIFIC DOCUMENTS FOR USE WITH THIS DOCUMENT.



FL#: **FL30945**

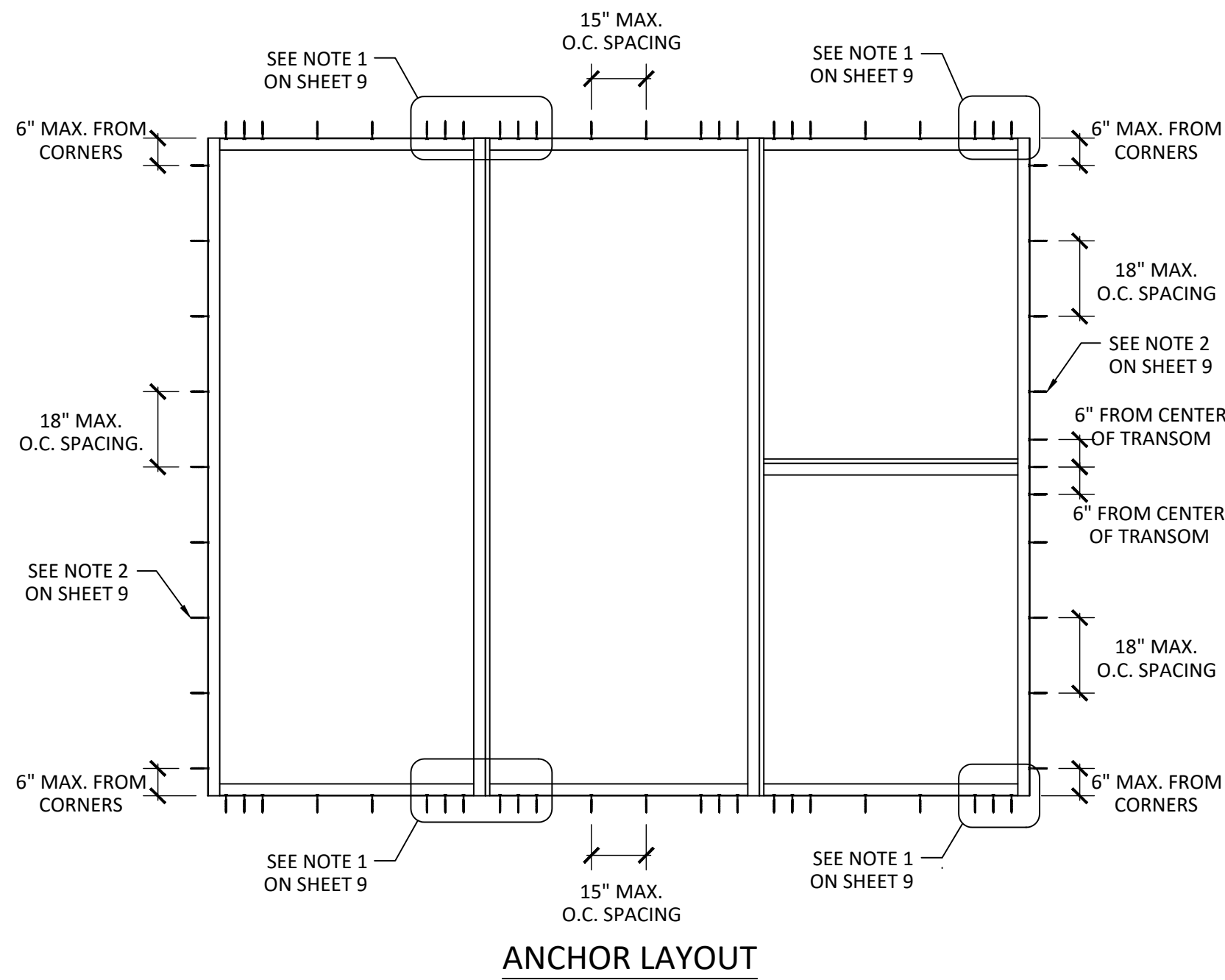
DATE: **09.29.2020**

DWG. BY: **YC** CHK. BY: **HFN**

SCALE: **NTS**

DWG. #: **ECI023**

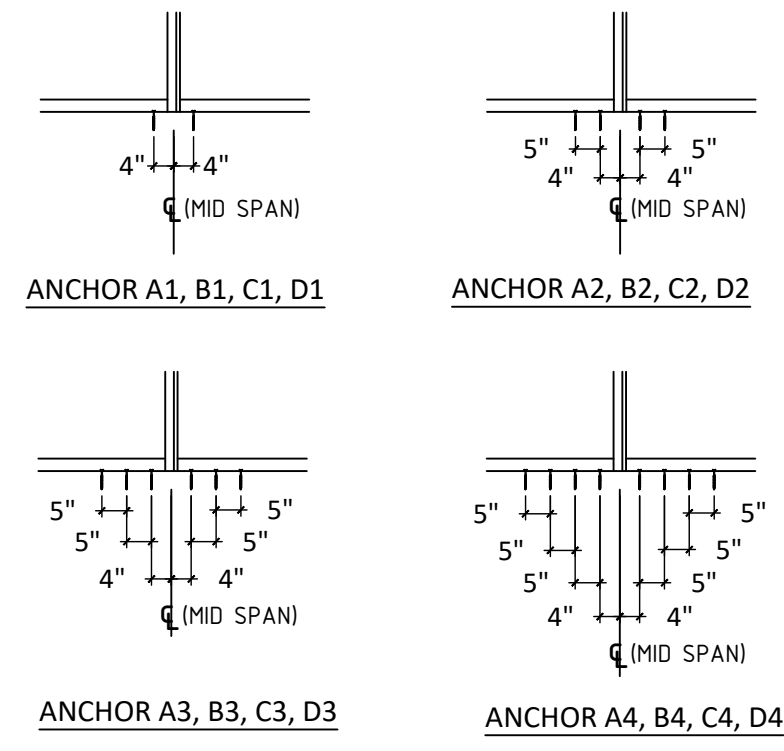
s:\projects\eurocraft_industries\inc\cc-20-0916-fbc code change (ver. 7)\revisions\new revisions\30945\dwgs\ec023 - storefront.dwg 12/16/2020 4:38 PM



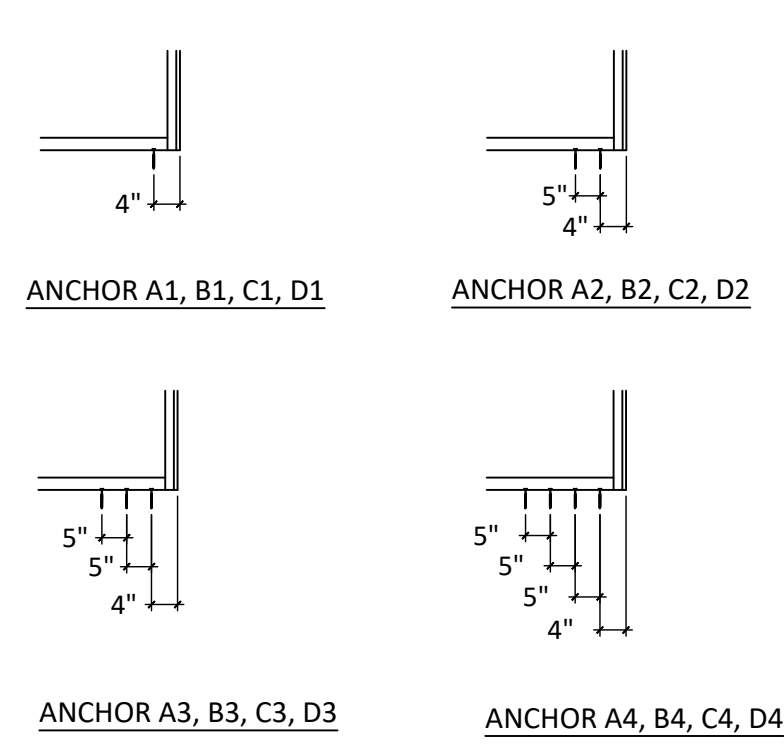
ANCHOR LAYOUT

- NOTES:**
- SEE SHEET 9 FOR MULLION AND JAMB ANCHOR CONFIGURATIONS, SHEET 10 FOR ANCHOR DESIGN PRESSURES AND SHEET 11 FOR ANCHOR SPECIFICATIONS.
 - JAMBS MAY BE INSTALLED WITHOUT THROUGH FRAME ANCHORS. SEE SHEET 8 FOR MAXIMUM SIZES AND PRESSURES.

MULLION ANCHOR CONFIGURATIONS



JAMB ANCHOR CONFIGURATIONS

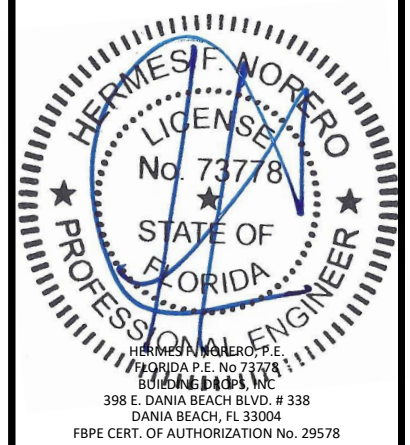


7905 NW 77TH AVE
MEDLEY, FL 33166
PH: (305) 713-1871 FX: (305) 713-1872

TITLE: 500 SERIES STOREFRONT (HVHZ)(IMPACT)
ANCHOR LAYOUT AND CONFIGURATIONS
PREPARED BY: BUILDING DROPS, INC.
398 E. DANIA BEACH BLVD., STE. 338
DANIA BEACH, FL 33004
PH: (954) 399-8478
FAX: (954) 744-4738
WEB: www.buildingdrops.com

REMARKS	BY	DATE
A-CODE CHANGE 2020	YC	09/20

THE INSTALLATION DETAILS DESCRIBED HEREIN ARE GENERIC AND MAY NOT REFLECT ACTUAL CONDITIONS FOR A SPECIFIC SITE. IF SITE CONDITIONS CAUSE INSTALLATION TO DEVIATE FROM THE REQUIREMENTS DETAILED HEREIN, A LICENSED ENGINEER OR ARCHITECT SHALL PREPARE SITE SPECIFIC DOCUMENTS FOR USE WITH THIS DOCUMENT.



FL#: **FL30945**
DATE: **09.29.2020**
DWG. BY: **YC** | CHK. BY: **HFN**
SCALE: **NTS**
DWG. #: **ECI023**

SHEET: **9**
OF 12

12/16/2020 4:38 PM

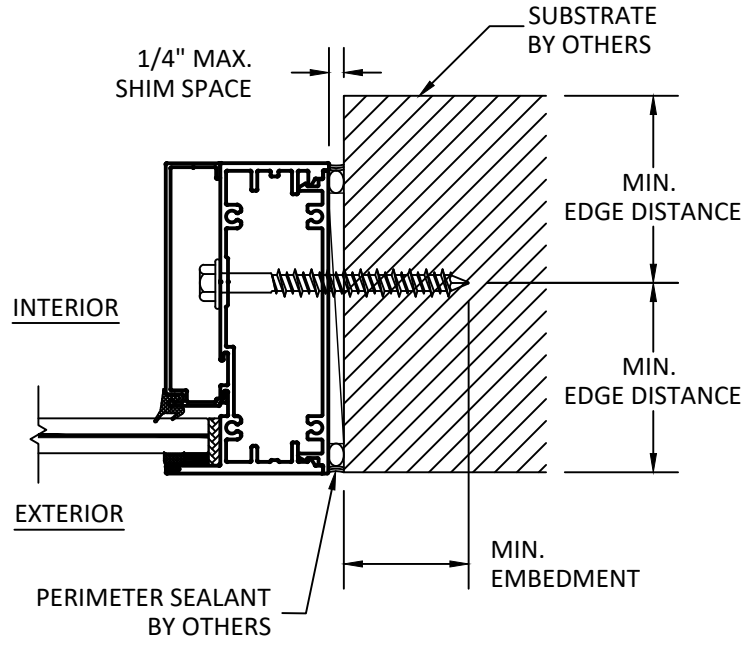
ANCHOR LOAD CAPACITY (+/- PSF)

WIDTH (IN)	HEIGHT (IN)	ANCHOR A1	ANCHOR B1	ANCHOR C1	ANCHOR D1	ANCHOR A2	ANCHOR B2	ANCHOR C2	ANCHOR D2	ANCHOR A3	ANCHOR B3	ANCHOR C3	ANCHOR D3	ANCHOR A4	ANCHOR B4	ANCHOR C4	ANCHOR D4		
36	60	84	152	104	98	160	160	160	160	160	160	160	160	160	160	160	160		
42		72	130	89	84	144	160	160	160	160	160	160	160	160	160	160	160		
48		63	114	78	74	126	160	156	148	160	160	160	160	160	160	160	160		
54		56	101	69	65	112	160	139	131	160	160	160	160	160	160	160	160		
60		50	91	62	59	100	160	125	118	151	160	160	160	160	160	160	160		
66		45	83	56	53	91	160	113	107	137	160	160	160	160	160	160	160		
72		42	76	52	49	84	152	104	98	126	160	156	148	160	160	160	160		
78		38	70	48	45	77	141	96	91	116	160	144	136	155	160	160	160		
84		36	65	44	42	72	130	89	84	108	160	134	126	144	160	160	160		
90		33	61	41	39	67	122	83	78	100	160	125	118	134	160	160	157		
96		31	57	39	37	63	114	78	74	94	160	117	111	126	160	156	148		
102		29	53	36	34	59	107	73	69	89	160	110	104	118	160	147	139		
108		28	50	34	32	56	101	69	65	84	152	104	98	112	160	139	131		
114		26	48	32	31	53	96	65	62	79	144	98	93	106	160	131	124		
120	25	45	31	29	50	91	62	59	75	137	93	88	100	160	125	118			
36	66	76	138	94	89	152	160	160	160	160	160	160	160	160	160	160	160		
42		65	119	81	76	131	160	160	153	160	160	160	160	160	160	160	160		
48		57	104	71	67	114	160	142	134	160	160	160	160	160	160	160	160		
54		50	92	63	59	101	160	126	119	152	160	160	160	160	160	160	160		
60		45	83	56	53	91	160	113	107	137	160	160	160	160	160	160	160		
66		41	75	51	48	83	151	103	97	125	160	155	146	160	160	160	160		
72		38	69	47	44	76	138	94	89	114	160	142	134	152	160	160	160		
78		35	64	43	41	70	128	87	82	105	160	131	124	141	160	160	160		
84		32	59	40	38	65	119	81	76	98	160	121	115	131	160	160	153		
90		30	55	37	35	61	111	75	71	91	160	113	107	122	160	151	143		
96		28	52	35	33	57	104	71	67	85	156	106	100	114	160	142	134		
102		26	49	33	31	53	98	66	63	80	147	100	94	107	160	133	126		
108		25	46	31	29	50	92	63	59	76	138	94	89	101	160	126	119		
114		24	43	29	28	48	87	59	56	72	131	89	84	96	160	119	113		
120	22	41	28	26	45	83	56	53	68	125	85	80	91	160	113	107			
36	72	70	127	86	82	140	160	160	160	160	160	160	160	160	160	160	160		
42		60	109	74	70	120	160	149	140	160	160	160	160	160	160	160	160		
48		52	95	65	61	105	160	130	123	157	160	160	160	160	160	160	160		
54		46	84	57	54	93	160	115	109	140	160	160	160	160	160	160	160		
60		42	76	52	49	84	152	104	98	126	160	156	148	160	160	160	160		
66		38	69	47	44	76	138	94	89	114	160	142	134	152	160	160	160		
72		35	63	43	41	70	127	86	82	105	160	130	123	140	160	160	160		
78		32	58	40	37	64	117	80	75	96	160	120	113	129	160	160	151		
84		30	54	37	35	60	109	74	70	90	160	111	105	120	160	149	140		
90		28	50	34	32	56	101	69	65	84	152	104	98	112	160	139	131		
96		26	47	32	30	52	95	65	61	78	143	97	92	105	160	130	123		
102		24	44	30	29	49	89	61	58	74	134	92	87	98	160	122	116		
108		23	42	28	27	46	84	57	54	70	127	86	82	93	160	115	109		
114		22	40	27	25	44	80	54	51	66	120	82	77	88	160	109	103		
120	21	38	26	24	42	76	52	49	63	114	78	74	84	152	104	98			
36	84	60	109	74	70	120	160	149	140	160	160	160	160	160	160	160	160		
42		51	93	63	60	102	160	127	120	154	160	160	160	160	160	160	160		
48		45	81	55	52	90	160	111	105	135	160	160	158	160	160	160	160		
54		40	72	49	46	80	145	99	93	120	160	149	140	160	160	160	160		
60		36	65	44	42	72	130	89	84	108	160	134	126	144	160	160	160		
66		32	59	40	38	65	119	81	76	98	160	121	115	131	160	160	153		
72		30	54	37	35	60	109	74	70	90	160	111	105	120	160	149	140		
78		27	50	34	32	55	100	68	65	83	151	103	97	110	160	137	130		
84		25	46	31	30	51	93	63	60	77	140	95	90	102	160	127	120		
90		24	43	29	28	48	87	59	56	72	130	89	84	96	160	119	112		
96		22	40	27	26	45	81	55	52	67	122	83	79	90	160	111	105		
102		21	38	26	24	42	77	52	49	63	115	78	74	84	154	105	99		
36		96	52	95	65	61	105	160	130	123	157	160	160	160	160	160	160	160	
42			45	81	55	52	90	160	111	105	135	160	160	158	160	160	160	160	
48	39		71	48	46	78	143	97	92	118	160	146	138	157	160	160	160		
54	35		63	43	41	70	127	86	82	105	160	130	123	140	160	160	160		
60	31		57	39	37	63	114	78	74	94	160	117	111	126	160	156	148		
66	28		52	35	33	57	104	71	67	85	156	106	100	114	160	142	134		
72	26		47	32	30	52	95	65	61	78	143	97	92	105	160	130	123		
78	24		44	30	28	48	88	60	56	72	132	90	85	96	160	120	113		
84	22		40	27	26	45	81	55	52	67	122	83	79	90	160	111	105		
90	21		38	26	24	42	76	52	49	63	114	78	74	84	152	104	98		
36	108		46	84	57	54	93	160	115	109	140	160	160	160	160	160	160	160	
42			40	72	49	46	80	145	99	93	120	160	149	140	160	160	160	160	
48			35	63	43	41	70	127	86	82	105	160	130	123	140	160	160	160	
54			31	56	38	36	62	113	77	73	93	160	115	109	124	160	154	146	
60		28	50	34	32	56	101	69	65	84	152	104	98	112	160	139	131		
66		25	46	31	29	50	92	63	59	76	138	94	89	101	160	126	119		
72		23	42	28	27	46	84	57	54	70	127	86	82	93	160	115	109		
36		120	42	76	52	49	84	152	104	98	126	160	156	148	160	160	160	160	
42			36	65	44	42	72	130	89	84	108	160	134	126	144	160	160	160	
48			31	57	39	37	63	114	78	74	94	160	117	111	126	160	156	148	
54			28	50	34	32	56	101	69	65	84	152	104	98	112	160	139	131	
60			25	45	31	29	50	91	62	59	75	137	93	88	100	160	125	118	
66			22	41	28	26	45	83	56	53	68	125	85	80	91	160	113	107	
72			21	38	26	24	42	76	52	49	63	114	78	74	84	152	104	98	
36	132		38	69	47	44	76	138	94	89	114	160	142	134	152	160	160	160	
42			32	59	40	38	65	119	81	76	98	160	121	115	131	160	160	153	
48			28	52	35	33	57	104	71	67	85	156	106	100	114	160	142	134	
54			25	46	31	29	50	92	63	59	76	138	94	89	101	160	126	119	
60			22	41	28	26	45	83	56	53	68	125	85	80	91	160	113	107	
36			144	35	63	43	41	70	127	86	82	105	160	130	123	140	160	160	160
42				30	54	37	35	60	109	74	70	90	160	111	105	120	160	149	140
48		26		47	32	30	52	95	65	61	78	143	97	92	105	160	130	123	
54		23		42	28	27	46	84	57	54	70	127	86	82	93	160	115	109	
60		21		38	26	24	42	76	52										

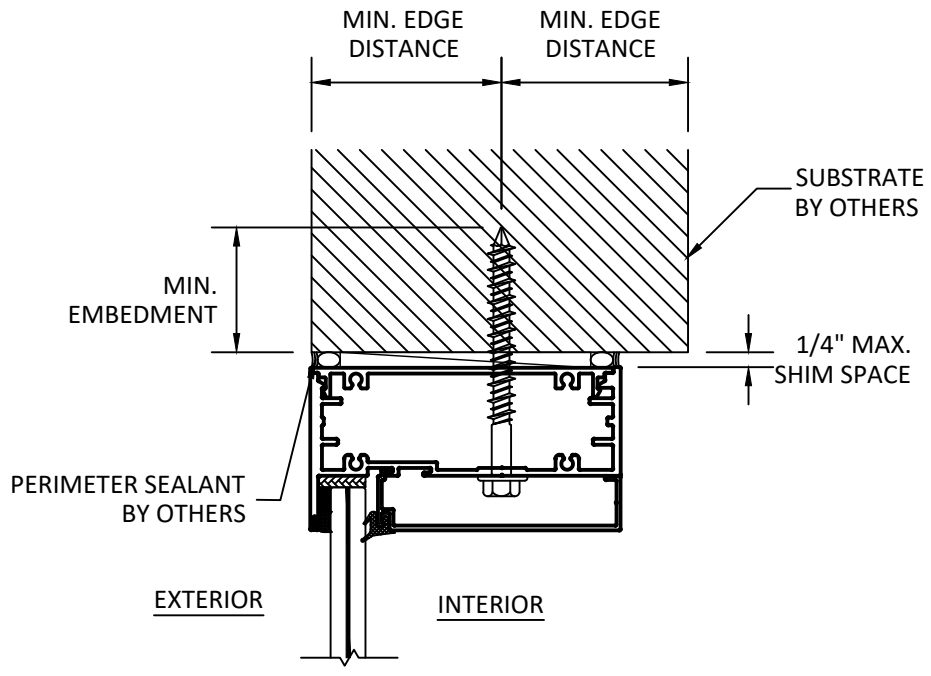
12/16/2020 4:38 PM
s:\projects\eurocraft industries inc\cc-20-0916-fbc code change (ver. 7)\revisions\new revisions\30945\dwg\ec023 - storefront.dwg

INSTALLATION NOTES:

- ONE (1) INSTALLATION ANCHOR IS REQUIRED AT EACH ANCHOR LOCATION SHOWN.
- THE NUMBER OF INSTALLATION ANCHORS DEPICTED IS THE MINIMUM NUMBER OF ANCHORS TO BE USED FOR PRODUCT INSTALLATION OF THE MAXIMUM SIZE LISTED.
- INSTALL INDIVIDUAL INSTALLATION ANCHORS WITHIN A TOLERANCE OF ±1/4 INCH THE DEPICTED LOCATION & SPACING IN THE ANCHOR LAYOUT DETAILS (I.E., WITHOUT CONSIDERATION OF TOLERANCES). TOLERANCES ARE NOT CUMULATIVE FROM ONE INSTALLATION ANCHOR TO THE NEXT.
- SHIM AS REQUIRED AT EACH INSTALLATION ANCHOR WITH LOAD BEARING SHIM(S). MAXIMUM ALLOWABLE SHIM STACK TO BE 1/4 INCH. SHIM WHERE SPACE OF 1/16 INCH OR GREATER OCCURS. SHIM(S) SHALL BE CONSTRUCTED OF HIGH DENSITY PLASTIC OR BETTER.
- FOR MASONRY OR CONCRETE OPENINGS, A 1X WOOD BUCK MAY BE USED (OPTIONAL) AS LONG AS THE MINIMUM EMBEDMENT AND EDGE DISTANCE REQUIREMENTS ARE STILL MET WITHIN THE CORRESPONDING HOST SUBSTRATE. SEE GENERAL NOTE #3 ON SHEET 1 FOR MORE INFORMATION.
- MINIMUM EMBEDMENT AND EDGE DISTANCE EXCLUDE WALL FINISHES, INCLUDING BUT NOT LIMITED TO STUCCO, FOAM, BRICK VENEER, AND SIDING.
- INSTALLATION ANCHORS AND ASSOCIATED HARDWARE MUST BE MADE OF CORROSION RESISTANT MATERIAL OR HAVE A CORROSION RESISTANT COATING.
- FOR HOLLOW BLOCK AND GROUT FILLED BLOCK, DO NOT INSTALL INSTALLATION ANCHORS INTO MORTAR JOINTS. EDGE DISTANCE IS MEASURED FROM FREE EDGE OF BLOCK OR EDGE OF MORTAR JOINT INTO FACE SHELL OF BLOCK.
- INSTALLATION ANCHORS SHALL BE INSTALLED IN ACCORDANCE WITH ANCHOR MANUFACTURER'S INSTALLATION INSTRUCTIONS, AND ANCHORS SHALL NOT BE USED IN SUBSTRATES WITH STRENGTHS LESS THAN THE MINIMUM STRENGTH SPECIFIED BY THE ANCHOR MANUFACTURER.



A
11 **HORIZONTAL SECTION**
THROUGH FRAME (JAMB)



B
11 **VERTICAL SECTION**
THROUGH FRAME (HEAD)

SIMILAR DETAIL FOR SILL

ANCHOR SCHEDULE					
METHOD	ANCHOR TYPE	SUBSTRATE	ANCHOR SCHEDULE	MIN. EMBEDMENT	MIN. EDGE DISTANCE
THROUGH FRAME	A	WOOD: MIN. SG = 0.55	5/16" ELCO ULTRACON	1.5"	1.5
	B	CONCRETE: MIN. F'C=3000PSI	5/16" ITW TAPCON FLATHEAD	1.75"	2.5
	C	METAL: 18 GAUGE STEEL, MIN. FY = 33KSI	5/16" TEK SCREW FLAT HEAD	3 THREADS MIN PENETRATION BEYOND METAL	0.75"
		METAL: ALUMINUM MIN. 1/8" THICKNESS (6063-T5 MIN.)			
D	MASONRY: CMU per ASTM C90 MIN. 2000 PSI	5/16" ELCO ULTRACON	1.75"	2.5	

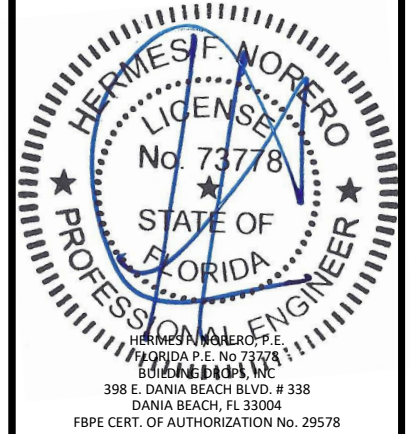
TITLE: 500 SERIES STOREFRONT (HVHZ)(IMPACT)

INSTALLATION NOTES AND ANCHOR SPECIFICATIONS

PREPARED BY: **BUILDING DROPS, INC.**
398 E. DANIA BEACH BLVD., STE. 338
DANIA BEACH, FL 33004
PH: (954) 399-8478
FX: (954) 744-4738
WEB: www.buildingdrops.com

REMARKS	BY	DATE
A-CODE CHANGE 2020	YC	09/20

THE INSTALLATION DETAILS DESCRIBED HEREIN ARE GENERIC AND MAY NOT REFLECT ACTUAL CONDITIONS FOR A SPECIFIC SITE. IF SITE CONDITIONS CAUSE INSTALLATION TO DEVIATE FROM THE REQUIREMENTS DETAILED HEREIN, A LICENSED ENGINEER OR ARCHITECT SHALL PREPARE SITE SPECIFIC DOCUMENTS FOR USE WITH THIS DOCUMENT.



FL#: **FL30945**

DATE: **09.29.2020**

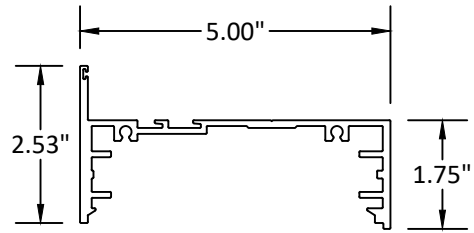
DWG. BY: **YC** | CHK. BY: **HFN**

SCALE: **NTS**

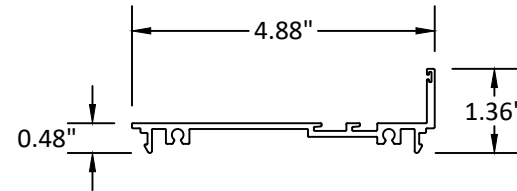
DWG. #: **ECI023**

s:\projects\eurocraft industries inc\cc-20-0916-fbc code change (ver. 7)\revisions\new revisions\130945\dwgs\ec023 - storefront.dwg 12/16/2020 4:38 PM

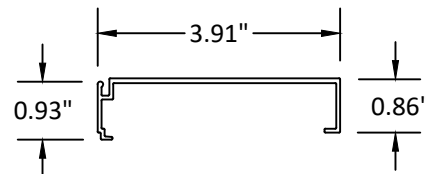
BILL OF MATERIALS		
ITEM	PART No.	DESCRIPTION
1	500-01	MULLION
2	500-02	MULLION COVER
3	500-03	GLAZING BEAD LAMI 9/16"
4	500-04	GLAZING BEAD IG 1 3/16"
5	500-05	COVER
6	-	STEEL REINFORCEMENT
7	-	SCREW #12 x 1 1/2" SELF-DRILL
8	-	FRAME GASKET (TPV, EPDM)
9	-	GLAZING BEAD GASKET (TPV, EPDM)
10	-	SETTING BLOCK (TPV, EPDM)
11	-	GLAZING - DOWSIL 791
12	-	GLAZING - GE SCS 2800
13	-	ACRYL-R SM5504
14	-	1/4"Ø BOLT WITH NUT & WASHER



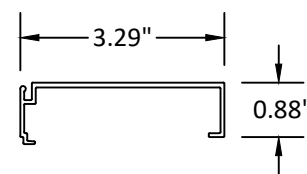
① MULLION



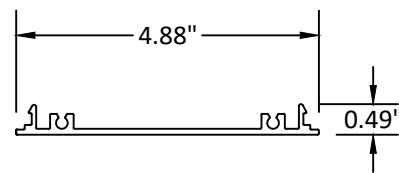
② MULLION COVER



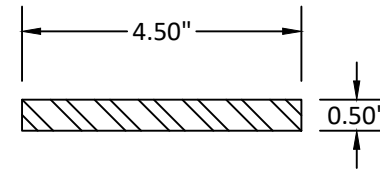
③ GLAZING BEAD LAMI 9/16"



④ GLAZING BEAD IG 1-3/16"



⑤ COVER



⑥ STEEL REINFORCEMENT

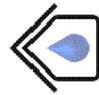


7905 NW 77TH AVE
MEDLEY, FL 33166
PH: (305) 713-1871 FX: (305) 713-1872

TITLE: 500 SERIES STOREFRONT (HVHZ)(IMPACT)

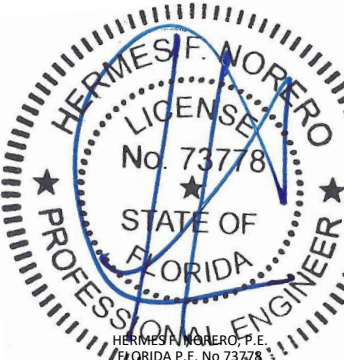
BILL OF MATERIALS AND COMPONENTS

PREPARED BY: BUILDING DROPS, INC.
398 E. DANIA BEACH BLVD., STE. 338
DANIA BEACH, FL 33004
PH: (954) 399-8478
FAX: (954) 744-4738
WEB: www.buildingdrops.com



REMARKS	BY	DATE
A-CODE CHANGE 2020	YC	09/20

THE INSTALLATION DETAILS DESCRIBED HEREIN ARE GENERIC AND MAY NOT REFLECT ACTUAL CONDITIONS FOR A SPECIFIC SITE. IF SITE CONDITIONS CAUSE INSTALLATION TO DEVIATE FROM THE REQUIREMENTS DETAILED HEREIN, A LICENSED ENGINEER OR ARCHITECT SHALL PREPARE SITE SPECIFIC DOCUMENTS FOR USE WITH THIS DOCUMENT.



HERMES F. NORERO, P.E.
FLORIDA P.E. No. 73778
BUILDING DROPS, INC.
398 E. DANIA BEACH BLVD. # 338
DANIA BEACH, FL 33004
FBPE CERT. OF AUTHORIZATION No. 29578

FL#: **FL30945**

DATE: **09.29.2020**

DWG. BY: YC	CHK. BY: HFN
-----------------------	------------------------

SCALE: **NTS**

DWG. #: **ECI023**

SHEET:

12

OF 12